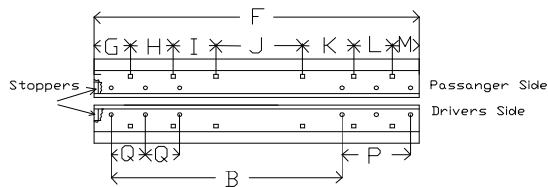
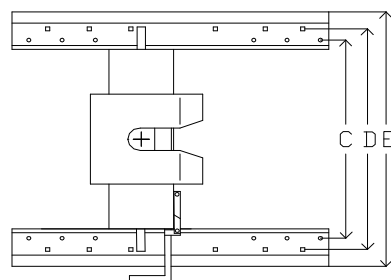
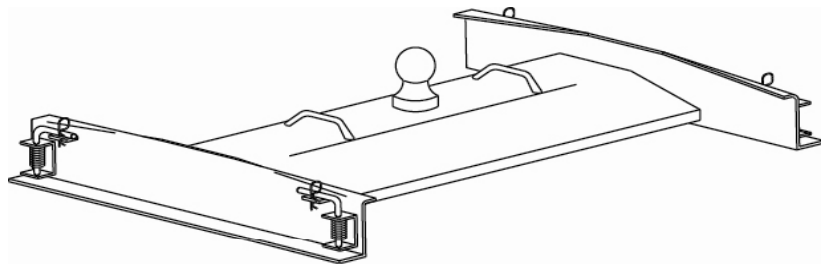


Hitch application	Rating	Notes
72924 Sliding Gooseneck Hitch 24"	26,000 lbs	If Slide Rails are installed accurately, the rails will accept a DSP Super Fifth Wheel Hitch without the need for adjustments.
72935 Sliding Gooseneck Hitch 35"	26,000 lbs	

Note: For best result for the installation of the gooseneck hitches, use or refer to the measurements below. Some applications may require the use of 5/16" bed rail rib spacer # 73551). In the reference guide below a fifth wheel hitch is pictured however all measurements refer to DSP gooseneck hitches.

DSP Dual Position Gooseneck Trailer Hitches when assembled (General Information)

Information	Reference	Measurement
Dist. of truck bed to top of hitchball	A	8.5 - 9"
Side bracket pin to pin (length)	B	27"
Bed rail length	F	38"
Bed rail pin separation (width)	C	24" GN = 27.5" 35" GN = 38.5"
Bed rail carriage bolt hole sep. (front to back holes)	G-M	4" 9" 14" 24" 29" 35" 1 2 3 4 5 6
Bed rail car. bolt separation (width)	D	24" GN = 31.5" 35" GN = 42"
Bed rail top to floor	-	1.25"
Bed rail car. bolt diameter	-	0.5"



Parts List	Contents of Bolt Pack # 73804	Tools Required
1 GN Crossbar G2924 or G2935	6 Carriage Bolt 1/2 x 1-1/2, Grade 5, UNC, Plated	3/4" Wrench and Socket 100 FT Torque Wrench Drill and 1/2" Drill Bit
1 GN Mounting Hardware #S3302	6 Flat Washer 1/2, Plated	
2 GN SIDE BRACKET #73302	6 Hex Nut 1/2, Grade 5, UNC, Plated	
1 GN HB GTW 26000 73703	6 Lockwasher 1/2, UNC, Grade 5, Plated	
1 Bolt Pack # 73804	4 Hair Pin Clip	
1 DSP Warranty Card		
1 Instructions 70000 Series		
Shipping weight:		
S3302 44 lbs		
G2924 49.6 lbs		
G2935 76.6 lbs		

1. Remove all packaging.
2. Place gooseneck side bracket against one side of the gooseneck crossbar. Line up holes and secure with 1/2 x 1-1/2 carriage bolts (3 per side), 1/2" flat washer, 1/2" lock washer and 1/2" hex nut. Hand tighten.
3. Repeat on other side and tighten all mounting fasteners to the correct torque specifications listed below.
4. Remove 1-3/8" lock washer and 1-3/8" hex nut from hitchball and install on gooseneck crossbar. Torque to clamp load: 32.550 746 FT.LB.
5. Slide gooseneck hitch into DSP dual position bed rails.
6. To lock gooseneck hitch into place, swivel all four (4) side pins off the tab. Slide gooseneck hitch back or forth to let the spring loaded side bracket pins drop into bed rail holes in desired position. Secure side pins by swivelling under tab and lock into place with provided hair pin clips.

Maintenance: Check and tighten all fasteners on a regular basis.
To remove gooseneck hitch from truck: remove hair pin clip from side bracket pin. Swivel side bracket pin out from under the tab, pull up and swivel pin so it rests on top of tab. Lock pin in place with hair pin clip. Repeat for all 4 side bracket pins. Gooseneck hitch can now be removed by sliding it out of bed rails.

Important: For DSP dual position bed rail installation instructions, please refer to vehicle specific installation instructions (series 73700).

Bolt Size	Grade 5 Torque	Metric	Grade 8.8 Torque
9/16	110 Ft. Lb	8 mm	18 Ft. Lb.
7/16	54 Ft. Lb	10 mm	36 Ft. Lb.
1/2	72 Ft. Lb.	12 mm	75 Ft. Lb.
5/8	150 Ft. Lb	14 mm	103 Ft. Lb.
3/4	245 Ft. Lb		

Maximum torque for weld or weld nuts is 38 FT/Lb

Warning: Check Fasteners annually or before usage, if the hitch is damaged replacement may be necessary
Do Not exceed hitch manufactures hitch ratings listed above, DO NOT drill or alter this product. This product is only intended for the application listed above, see vehicle owner's manual for maximum towing capacity (GVWR). This product is intended for usage with the correct towing accessories and not to be used with tow ropes, cables, chains or any type of stretch or elastic rope.

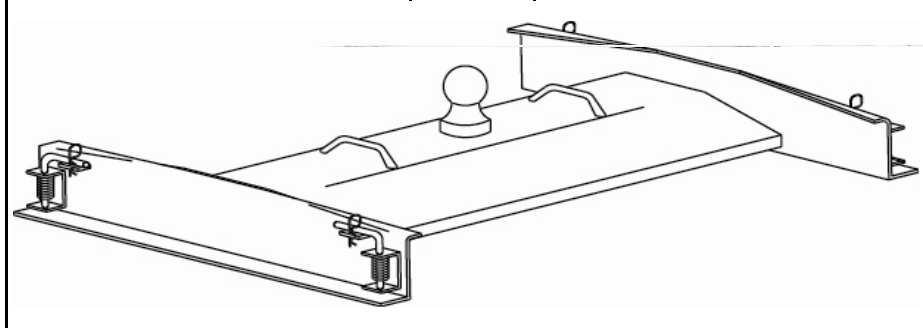
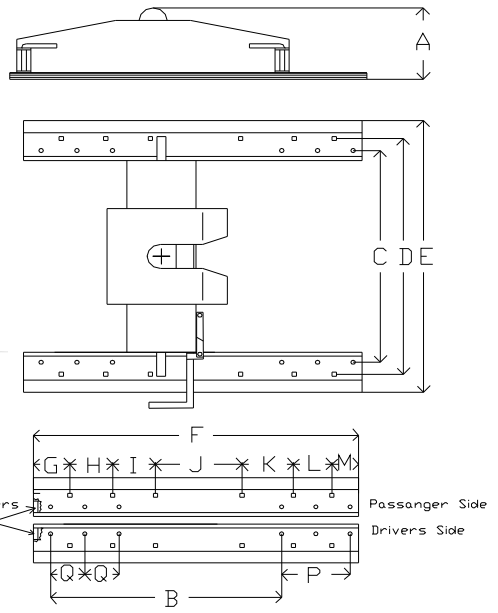
DSP Hitches are manufactured by Diversified Steel Products MFG. LTD Edmonton Alberta, Canada
For more information on DSP and DSP products call 1-800-265-3377 or visit us at www.dsphitches.com

Hitch application	Rating	Notes
72937 Sliding Gooseneck Hitch 37"	26,000 lbs	37" DSP Gooseneck Hitch will fit into rails with the below specification ONLY. Measure prior to assembly! If measurements are less, a 35" Gooseneck Hitch is required!

Note: For best result for the installation of the gooseneck hitches, use or refer to the measurements below. Some applications may require the use of 5/16" bed rail rib spacer # 73551). In the reference guide below a fifth wheel hitch is pictured however all measurements refer to DSP gooseneck hitches.

DSP Dual Position Gooseneck Trailer Hitches when assembled (General Information)

Information	Reference	Measurement
Dist. of truck bed to top of hitchball	A	8.5 - 9"
Side bracket pin to pin (length)	B	27"
Bed rail length	F	38"
Bed rail pin separation (width)	C	37" GN = 39.5-40"
Bed rail carriage bolt hole sep. (front to back holes)	G-M	4" 9" 14" 24" 29" 35" 1 2 3 4 5 6
Bed rail car. bolt separation (width)	D	37" GN = 43-43.5"
Bed rail top to floor	-	1.25"
Bed rail car. bolt diameter	-	0.5"



Parts List	Contents of Bolt Pack # 73804	Tools Required
1 GN Crossbar G2935 1 Gooseneck Mounting Hardware S3302X 2 GN Side Brackets 73302X 1 GN HB GTW 26000 73703 1 Bolt Pack # 73804 1 DSP Warranty Card 1 Instructions 70000 Series	6 Carriage Bolt 1/2 x 1-1/2, Grade 5, UNC, Plated 6 Flat Washer 1/2, Plated 6 Hex Nut 1/2, Grade 5, UNC, Plated 6 Lockwasher 1/2, UNC, Grade 5, Plated 4 Hair Pin Clip	3/4" Wrench and Socket 100 FT Torque Wrench Drill and 1/2" Drill Bit
Ship S3302X 47.8 lbs weight: G2935 76.6 lbs		

1. Remove all packaging.
2. Place gooseneck side bracket against one side of the gooseneck crossbar. Line up holes and secure with 1/2 x 1-1/2 carriage bolts (3 per side), 1/2" flat washer, 1/2" lock washer and 1/2" hex nut. Hand tighten.
3. Repeat on other side and tighten all mounting fasteners to the correct torque specifications listed below.
4. Remove 1-3/8" lock washer and 1-3/8" hex nut from hitchball and install on gooseneck crossbar. Torque to clamp load: 32.550 746 FT.LB.
5. Slide gooseneck hitch into DSP dual position bed rails.
6. To lock gooseneck hitch into place, swivel all four (4) side pins off the tab. Slide gooseneck hitch back or forth to let the spring loaded side bracket pins drop into bed rail holes in desired position. Secure side pins by swivelling under tab and lock into place with provided hair pin clips.

Maintenance: Check and tighten all fasteners on a regular basis.

To remove gooseneck hitch from truck: remove hair pin clip from side bracket pin. Swivel side bracket pin out from under the tab, pull up and swivel pin so it rests on top of tab. Lock pin in place with hair pin clip. Repeat for all 4 side bracket pins. Gooseneck hitch can now be removed by sliding it out of bed rails.

Important: For DSP dual position bed rail installation instructions, please refer to vehicle specific installation instructions (series 73700).

Bolt Size	Grade 5 Torque	Metric	Grade 8.8 Torque
9/16	110 Ft. Lb	8 mm	18 Ft. Lb.
7/16	54 Ft. Lb	10 mm	36 Ft. Lb.
1/2	72 Ft. Lb.	12 mm	75 Ft. Lb.
5/8	150 Ft. Lb	14 mm	103 Ft. Lb.
3/4	245 Ft. Lb		

Warning: Check Fasteners annually or before usage, if the hitch is damaged replacement may be necessary

Do Not exceed hitch manufactures hitch ratings listed above, DO NOT drill or alter this product. This product is only intended for the application listed above, see vehicle owner's manual for maximum towing capacity (GVWR). This product is intended for usage with the correct towing accessories and not to be used with tow ropes, cables, chains or any type of stretch or elastic rope.