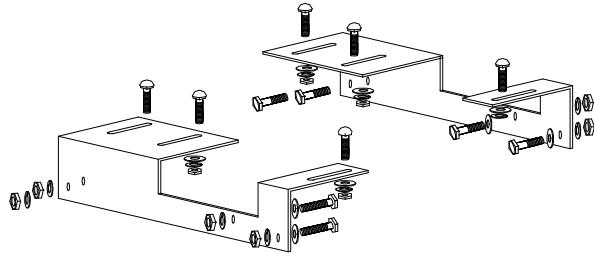


73717
Frame Bracket Kit for DSP
24" DP FW & GN Hitches

IMPORTANT: The bracket/hole placement is a suggestion. Frames vary! Always check the frame prior to drilling if this is the best location for the brackets. If the suggested holes are not ideal, move to the next closest hole.			Measurement end of rail to end of box			Frame Bracket placement by hole number (see drawing below)
Hitch application	Notes	Years	Comp. box 6.2'	Short box 6.5'	Long box 8'	
Ford F-Series - NO Drill App	150 ONLY (tube frame)	2004-14	see notes	20.5"±	20.5"±	FD613/FP613 - 2, 3 & 5

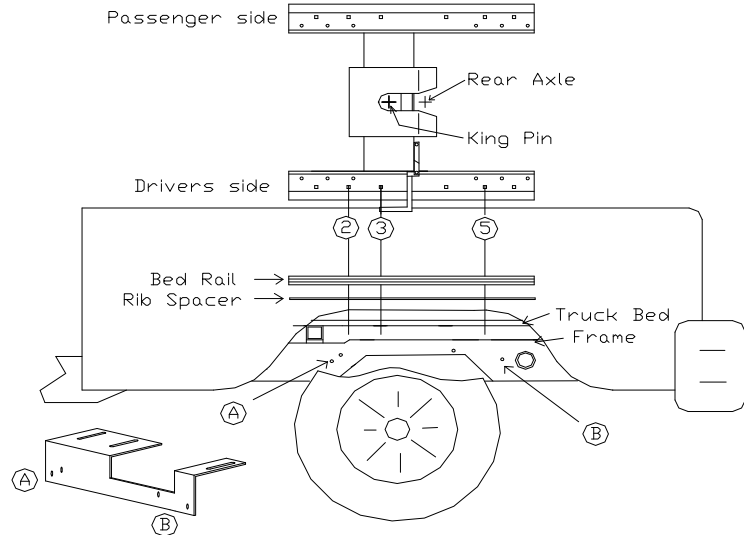
NOTE #1: Can be installed on compact box. Must be used with 10" King Pin extension or with the Reese Sidewinder use the RBW Wedge.
 NOTE #2: Place center of king pin 1"-2" ahead of the axle when in travel position (closest to cab).

#73717



Bolt Leader # 92302

Rib Spacer not included
 No Liner & With Liner
 Use 5/16" # 73551P



*** At any point during installation, ensure that once placement is made, there are NO lines or wires interfering prior to drilling.**

Parts List	Contents of Bolt Pack # 73717/B	Tools Required
1 Box 1 FD613 Frame Bracket 1 FP613 Frame Bracket 1 Bolt Pack # 73717/B 1 DSP Warranty Card 1 Instructions 70000 Series	6 Carriage Bolt 1/2x3 FThread, Gr5, UNC, Plated 6 Flat Washer 1/2, Plated 6 Hex Bolt 1/2-13 x 1 1/2, Grade 5, UNC, Plated 12 Hex Nut 1/2, Grade 5, UNC, Plated 12 Lock Washer 1/2, Grade 5, UNC, Plated 2 Bolt Leader 48" 6 SPACER #91224	3/4" Wrench and Socket 100 FT Torque Wrench Drill and 1/2" Drill Bit
Shipping weight: 30.8 lbs. 14.0 kg.		NOTE** Some models may require drilling or notching in the frame.

IMPORTANT: 2011-UP MODELS FORWARD HOLE 2 MAY BE MISSING OR UP TO 2" OUT.

Bed Rail Placement: 1) Follow the general installation guidelines for the assembly of the upper half of hitch system of your choice that is included with the system. The rails have a closed end and an open end (to slide the hitch in and out). Place closed end near cab. Slide the hitch into rails and lock in travel position (closest to end of the rail near cab). Place system with rails in the truck box and use measurements above as a guideline. Center hitch in between wheel wells. This installation recommends the use of a set of two (2) bed rail rib spacers #73551P. Rib spacers keep the rail level during installation and usage of the hitch. Place rib spacers between box and rails. **Note:** For best results for the installation of gooseneck hitches, install or use a fifth wheel hitch as a template or refer to the measurements under general "Gooseneck Hitch" installation guidelines.

Bed Rail Mounting: 2) Centre the rails in the bed of the truck box with the measurements listed on the information chart above for long, short or compact boxes. From side to side using the rails as a template, *drill holes 2, 3 & 5 through the floor of the truck bed then drop the 1/2" x 3" carriage bolts into the holes.

Frame Bracket Placement and Mounting 3) Place the supplied brackets upon the bolts that were installed in the box in step 2. Note some brackets may be placed easier than others depending on their locations (refer to parts listed for bracket placement). Loosely install lock washer, flat washer and hex nut on the carriage bolts to hold frame brackets in 4) Once brackets are installed, fish the 1/2" x 1 1/2" hex bolts with #91224 reinforcement spacer into the correct holes. Make sure there are no lines or wires interfering during install. Place 1/2" lock washer and 1/2" hex nut on bolts that were fished into the holes in the frame rails.

5) Tighten all mounting fasteners to correct torque specifications below.

NOTE: In case drilling or notching of the truck frame is required: Once brackets are installed in the order they fit best, tighten all brackets to the box using the supplied fasteners. Once they are tightened, *drill holes using the bracket as a template. Make sure there are no lines or wires interfering during *drilling. After *drilling is complete install the 1/2"x1-1/2" Hex Bolts to secure the brackets to the frame rails. Tighten all mounting fasteners to the correct torque specifications listed below.

Bolt Size	Grade 5 Torque	Metric	Grade 8.8 Torque
9/16	110 Ft. Lb	8 mm	18 Ft. Lb.
7/16	54 Ft. Lb	10 mm	36 Ft. Lb.
1/2	72 Ft. Lb.	12 mm	75 Ft. Lb.
5/8	150 Ft. Lb	14 mm	103 Ft. Lb.
3/4	245 Ft. Lb		Maximum torque for weld or weld nuts is 38 FT/Lb

Warning: Check Fasteners annually or before usage, if the hitch is damaged replacement may be necessary

Do Not exceed hitch manufactures hitch ratings listed above, DO NOT drill or alter this product. This product is only intended for the application listed above, see vehicle owner's manual for maximum towing capacity (GVWR). This product is intended for usage with the correct towing accessories and not to be used with tow ropes, cables, chains or any type of stretch or elastic rope.



Diversified Steel Products Mfg. Ltd.
5645 - 92 Street
Edmonton, AB T6E 3A4 Canada
1 (800) 265-3377

www.dspitches.com

EST. 1961

73718

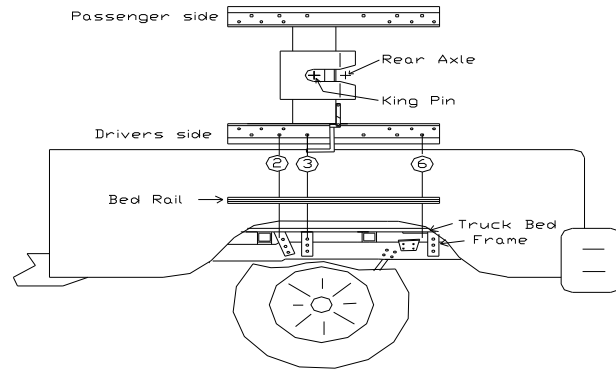
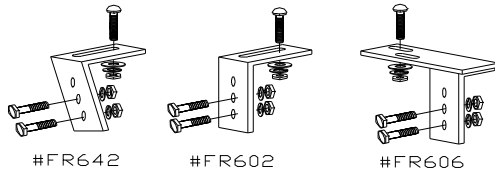
**Frame Bracket Kit for DSP
35" DP FW & GN Hitches**

IMPORTANT: The bracket/hole placement is a suggestion. Frames vary! Always check the frame prior to drilling if this is the best location for the brackets. If the suggested holes are not ideal, move to the next closest hole.			Measurement end of rail to end of box			Frame Bracket placement by hole number (see drawing below)
			Comp. box 6.2'	Short box 6.5'	Long box 8'	
Hitch application	Notes	Years	see notes	21.25" ²	21.25" ²	FL642/FR642-2, FL602/FR602-3, FL606/FR606-6
Ford Superduty* Drill Application	Ext, Reg, Quad Cabs	2008-cur				

NOTE #1: Can be installed on compact box. Must be used with 10" King Pin extension or with the Reese Sidewinder use the RBW Wedge.

NOTE #2: Place center of king pin 1"-2" ahead of the axle when in travel position (closest to cab).

* 2011-CUR NO REESE PRE-INSTALL



*** At any point during installation, ensure that once placement is made, there are NO lines or wires interfering prior to drilling.**

Parts List		Contents of Bolt Pack # 73808		Tools Required
1	FL642 Frame Bracket	6	Carriage Bolt 1/2 x 3, Grade 5, UNC, Plated	3/4" Wrench and Socket 100 FT Torque Wrench Drill and 1/2" Drill Bit
1	FR642 Frame Bracket	12	Flat Washer 1/2, Plated	
1	FL602 Frame Bracket	12	Hex Bolt 1/2 x 1 1/2, Grade 5, UNC, Plated	
1	FR602 Frame Bracket	18	Lock Washer 1/2", Grade 5, Plated	
1	FL606 Frame Bracket	18	Hex Nut 1/2, Grade 5, UNC, Plated	
1	FR606 Frame Bracket			
1	Bolt Pack # 73808			
1	DSP Warranty Card			
1	Instructions F7000 Series			
Ship.	20.8 lbs			
Weight:	9.5 kg			

Bed Rail Placement: 1) Follow the general installation guidelines for the assembly of the upper half of hitch system of your choice that is included with the system. The rails have a closed end and an open end (to slide the hitch in and out). Place closed end near cab. Slide the hitch into rails and lock in travel position (closest to end of the rail near cab). Place system with rails in the truck box and use measurements above as a guideline. Center hitch in between wheel wells. This installation recommends the use of a set of two (2) bed rail rib spacers #73551P. Rib spacers keep the rail level during installation and usage of the hitch. Place rib spacers between box and rails. **Note:** For best results for the installation of gooseneck hitches, install or use a fifth wheel hitch as a template or refer to the measurements under general "Gooseneck Hitch" installation guidelines.

Bed Rail Mounting: 2) Centre the rails in the bed of the truck box with the measurements listed on the information chart above for long, short or compact boxes. From side to side using the rails as a template, *drill holes #2, 3 & 6 through the floor of the truck bed then drop the 1/2" x 3" Carriage Bolts into the holes.

Frame Bracket Placement and Mounting 3) Place the supplied brackets upon the bolts that were installed in the box in step 2. Note some brackets may be easier to place than others depending on their locations.

4) Once brackets are installed in the order they fit best, tighten all brackets to the box using the supplied fasteners. Once they are tightened, *drill holes using the bracket as a template. Make sure there are no lines or wires interfering during *drilling. After *drilling is complete install the 1/2" x 1 1/2" Hex Bolts to secure the brackets to the frame rails.

5) Tighten all mounting fasteners to the correct torque specifications listed below.

Bolt Size	Grade 5 Torque	Metric	Grade 8.8 Torque
9/16	110 Ft. Lb.	8 mm	18 Ft. Lb.
7/16	54 Ft. Lb.	10 mm	36 Ft. Lb.
1/2	72 Ft. Lb.	12 mm	75 Ft. Lb.
5/8	150 Ft. Lb.	14 mm	103 Ft. Lb.
3/4	245 Ft. Lb.		Maximum torque for weld or weld nuts is 38 FT/Lb

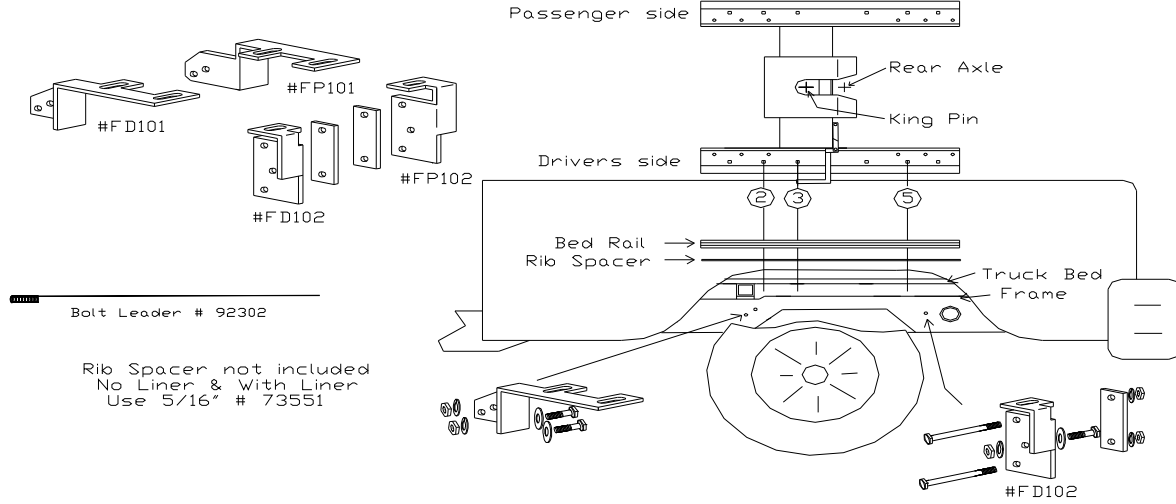
Warning: Check Fasteners annually or before usage, if the hitch is damaged replacement may be necessary

Do Not exceed hitch manufactures hitch ratings listed above, DO NOT drill or alter this product. This product is only intended for the application listed above, see vehicle owner's manual for maximum towing capacity (GVWR). This product is intended for usage with the correct towing accessories and not to be used with tow ropes, cables, chains or any type of stretch or elastic rope.

DSP Hitches are manufactured by Diversified Steel Products MFG. LTD Edmonton Alberta, Canada
For more information on DSP and DSP products call 1-800-265-3377 or visit us at www.dspitches.com

IMPORTANT: The bracket/hole placement is a suggestion. Frames vary! Always check the frame prior to drilling if this is the best location for the brackets. If the suggested holes are not ideal, move to the next closest hole.			Measurement end of rail to end of box			Frame Bracket placement by hole number (see drawing below)
Hitch application	Notes	Years	Comp. box 6.2'	Short box 6.5'	Long box 8'	
Ford F-Series - NO Drill App	150 ONLY (tube frame)	2004-14	see notes	20.5" ²	20.5" ²	FD101/FP101 - 2 & 3, FD102/FP102 - 5

NOTE #1: Can be installed on compact box. Must be used with 10" King Pin extension or with the Reese Sidewinder use the RBW Wedge.
NOTE #2: Place center of king pin 1"-2" ahead of the axle when in travel position (closest to cab).



*** At any point during installation, ensure that once placement is made, there are NO lines or wires interfering prior to drilling.**

Parts List		Contents of Bolt Pack # 73721/B	Tools Required
1	FD101 Front Drivers Side Bracket	2 Bolt Leader 48"	3/4" Wrench and Socket 100 FT Torque Wrench Drill and 1/2" Drill Bit
1	FP101 Front Passenger Side Bracket	6 Carriage Bolt 1/2 x 3, Grade 5, UNC, Plated	
1	FD102 Rear Drivers Side Bracket	12 Flat Washer 1/2, Grade 5, UNC, Plated	NOTE** Some models may require drilling or notching in the frame.
1	FP102 Rear Passenger Side Bracket	6 Hex Bolt 1/2x1-1/2 Fully Threaded, Gr5, UNC, Plated	
2	BOLT PLATE 2 x 7 x 5/8 FOR 73721	16 Hex Nut 1/2, Grade 5, UNC, Plated	
1	Bolt Pack # 73808A	16 Lock Washer 1/2, Grade 5, UNC, Plated	
1	DSP Warranty Card	6 # 91224 Reinforcement Spacer	
1		4 Hex Bolt 1/2 x 4, Grade 5, UNC, Plated, 1/2 THREAD ONLY	
Shipping weight:	26.6 lbs. 12.1 kg.		

IMPORTANT: 2011-UP MODELS: FORWARD HOLES 1 OR 2 MAY BE MISSING OR UP TO 2" OUT.

REAR HOLES: THE NUTS MUST BE ON THE INSIDE OF THE FRAME DUE TO DIFFERENT SUSPENSIONS.

Bed Rail Placement: 1) Follow the general installation guidelines for the assembly of the upper half of hitch system of your choice that is included with the system. The rails have a closed end and an open end (to slide the hitch in and out). Place closed end near cab. Slide the hitch into rails and lock in travel position (closest to end of the rail near cab). Place system with rails in the truck box and use measurements above as a guideline. Center hitch in between wheel wells. This installation recommends the use of a set of two (2) bed rail rib spacers #73551P. Rib spacers keep the rail level during installation and usage of the hitch. Place rib spacers between box and rails. **Note:** For best results for the installation of gooseneck hitches, install or use a fifth wheel hitch as a template or refer to the measurements under general "Gooseneck Hitch" installation guidelines.

Bed Rail Mounting: 2) Centre the rails in the bed of the truck box with the measurements listed on the information chart above for long, short or compact boxes. From side to side using the rails as a template, *drill holes 2, 3 & 5 through the floor of the truck bed then drop the 1/2" x 3" carriage bolts into the holes.

Frame Bracket Placement and Mounting 3) Place the supplied brackets upon the bolts that were installed in the box in step 2. Note some brackets may be placed easier than others depending on their locations (refer to parts listed for bracket placement). Loosely install lock washer, flat washer and hex nut on the carriage bolts to hold frame brackets in place.

4) Once brackets are installed in the order they fit best, fish the 1/2" x 1 1/2" hex bolts with #91224 reinforcement spacer into the correct holes. Make sure there are no lines or wires interfering during install. Place 1/2" lock washer and 1/2" hex nut on bolts that were fished into the holes in the frame rails. Install 4" hex bolt through frame bracket #FD102/FP102 as shown above. Fasten with bolt plate and then 1/2" lock washer and 1/2" hex nut. Tighten all mounting fasteners to the correct torque specifications listed below.

NOTE: In case drilling or notching of the truck frame is required: Once brackets are installed in the order they fit best, tighten all brackets to the box using the supplied fasteners. Once they are tightened, *drill holes using the bracket as a template. Make sure there are no lines or wires interfering during *drilling. After *drilling is complete install the 1/2"x1-1/2" Hex Bolts to secure the brackets to the frame rails. Tighten all mounting fasteners to the correct torque specifications listed below.

Bolt Size	Grade 5 Torque	Metric	Grade 8.8 Torque
9/16	110 Ft. Lb	8 mm	18 Ft. Lb.
7/16	54 Ft. Lb	10 mm	36 Ft. Lb.
1/2	72 Ft. Lb.	12 mm	75 Ft. Lb.
5/8	150 Ft. Lb	14 mm	103 Ft. Lb.
3/4	245 Ft. Lb	Maximum torque for weld or weld nuts is 38 FT/Lb	

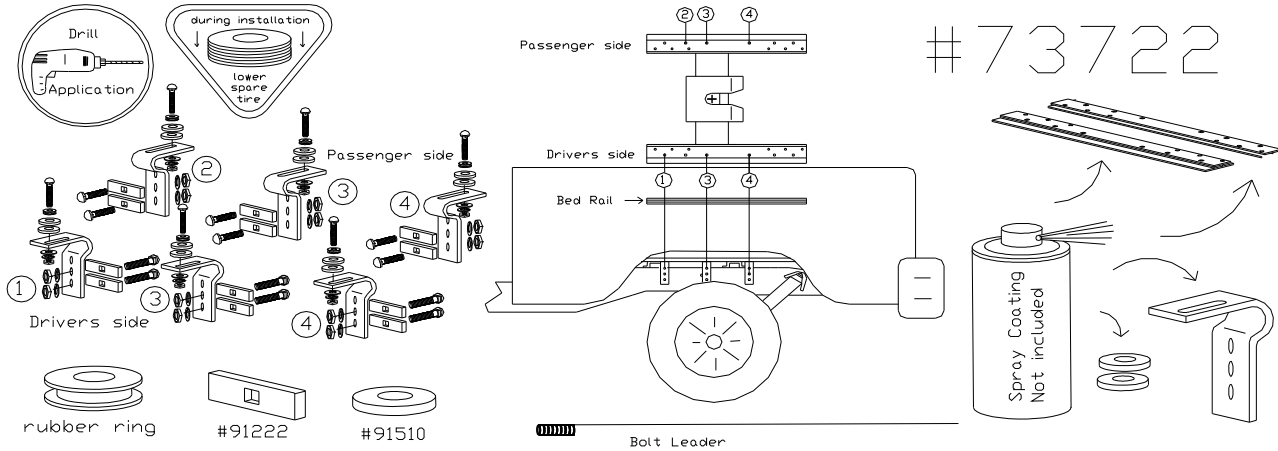
Warning: Check Fasteners annually or before usage, if the hitch is damaged replacement may be necessary

Do Not exceed hitch manufactures hitch ratings listed above, DO NOT drill or alter this product. This product is only intended for the application listed above, see vehicle owner's manual for maximum towing capacity (GVWR). This product is intended for usage with the correct towing accessories and not to be used with tow ropes, cables, chains or any type of stretch or elastic rope.

73722
Frame Bracket Kit for DSP
35" DP FW & GN Hitches

IMPORTANT: The bracket/hole placement is a suggestion. Frames vary! Always check the frame prior to drilling if this is the best location for the brackets. If the suggested holes are not ideal, move to the next closest hole.			Measurement end of rail to end of box			Frame Bracket placement by hole number (see drawing below)
Hitch application	Notes	Years	Comp. box	Short box	Long box	
Ford F-Series - Drill App	150 ONLY ALUMINUM BODY	15-up	6.2'	6.5'	8'	FL603 - 1, 3 & 4, FR603 - 2, 3 & 4
			see note 1	20.5" ²	20.5" ²	

NOTE #1: Can be installed on compact box. Must be used with 10" King Pin extension or with the Reese Sidewinder use the RBW Wedge.
NOTE #2: Place center of king pin 1" 2" ahead of the axle when in travel position (closest to cab).



NOTE: This installation requires an ANTI-CORROSION SPRAY COATING - Not included!
Please refer to FORD Q-222 SVE Bulleting found online.

IMPORTANT: Anti-Corrosion Spray Coating needs to be applied to the bottom of the rails, the round reinforcement spacers as well as the top of the frame brackets prior to installation!

*** At any point during installation, ensure that once placement is made that there are NO lines or wires interfering prior to drilling.**

Parts List	Contents of Bolt Pack # 73722/B	Tools Required
3 FL603 Frame Bracket	1 Bolt Leader 48"	1/2" Wrench and Socket
3 FR603 Frame Bracket	6 Carriage Bolt 1/2 x 3, Grade 5, UNC, Plated	100 FT Torque Wrench
1 Bolt Pack # 73722/B	12 Carriage Bolt 1/2 x 1 1/2, Grade 5, UNC, Plated	Drill and 9/16" and 3/4" Drill Bit
1 DSP Warranty Card	6 Flat Washer 1/2, Grade 5, UNC, Plated	
1 Instructions F70000 Series	18 Hex Nut 1/2, Grade 5, UNC, Plated	
w/ FORD Q-222 SVE BULLETIN	18 Lock Washer 1/2, Grade 5, UNC, Plated	
	6 #91222 Reinforcement Spacer	
Shipping weight: 19.1 lbs.	12 #91510 Reinforcement Spacer	
	6 Rubber Ring	

Lower Spare Tire before starting installation!

Bed Rail Placement: 1) Follow the general installation guidelines for the assembly of the upper half of hitch system of your choice that is included with the system. The rails have a closed end and an open end (to slide the hitch in and out). Place closed end near cab. Slide the hitch into rails and lock in travel position (closest to end of the rail near cab). Place system with rails in the truck box and use measurements above as a guideline. Center hitch in between wheel wells. **Note:** For best results for the installation of gooseneck hitches, install or use a fifth wheel hitch as a template or refer to the measurements under general "Gooseneck Hitch" installation guidelines.

Bed Rail Mounting: 2) Spray the bottom of the rails, the round reinforcement spacers (#91510) as well as the top of the frame brackets with Anti-Corrosion Spray Coating. Centre the rails in the bed of the truck box with the measurements listed on the information chart above for long, short or compact boxes. From side to side using the rails as a template, *drill holes 1, 3 & 4 on the driver's side and 2, 3 and 4 on passenger side through the floor of the truck bed using a 3/4" drill bit. Place the rubber ring on 1/2" x 3" carriage bolts to act as an insulator between the steel bolts and aluminum sheet metal truck box and drop into drilled holes.

Frame Bracket Placement and Mounting 3) Working underneath the truck bed, place 2 x round reinforcement spacers (#91510) on each carriage bolt coming through the truck box before placing the supplied brackets upon the bolts that were installed in the box in step 2. Note some brackets may be placed easier than others depending on their locations (refer to parts listed for bracket placement). Loosely install flat washer, lock washer and hex nut on the 1/2" x 3" carriage bolts to hold frame brackets in place.

4) Line up brackets to the frame and use the frame bracket as a template to drill 9/16" holes into the frame (2 per bracket). **NOTE: ONLY drill through ONE wall of the frame!** Using the supplied bolt leader, fish the 1/2" x 1-1/2" carriage bolts with #91222 reinforcement spacer into the correct holes. Make sure there are no lines or wires interfering during install. Place 1/2" lock washer and 1/2" hex nut on bolts that were fished into the holes in the frame. Tighten all mounting fasteners to the correct torque specifications listed below. Re-install spare tire.

Bolt Size	Grade 5 Torque	Metric	Grade 8.8 Torque
9/16	110 Ft. Lb	8 mm	18 Ft. Lb.
7/16	54 Ft. Lb	10 mm	36 Ft. Lb.
1/2	72 Ft. Lb.	12 mm	75 Ft. Lb.
5/8	150 Ft. Lb	14 mm	103 Ft. Lb.
3/4	245 Ft. Lb		Maximum torque for weld or weld nuts is 38 FT/Lb

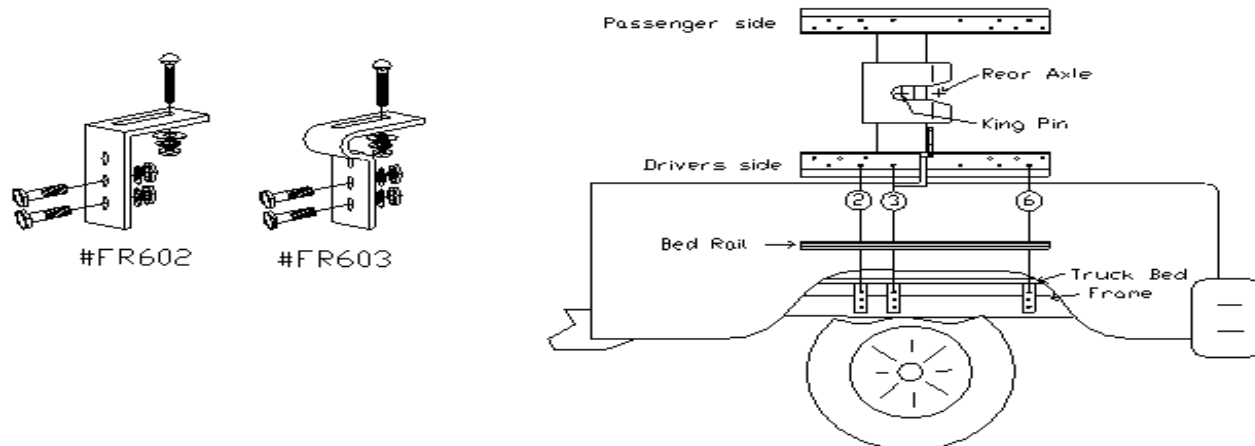
Warning: Check Fasteners annually or before usage, if the hitch is damaged replacement may be necessary

Do Not exceed hitch manufactures hitch ratings listed above, DO NOT drill or alter this product. This product is only intended for the application listed above, see vehicle owner's manual for maximum towing capacity (GVWR). This product is intended for usage with the correct towing

73792
Frame Bracket Kit for DSP
35" DP FW & GN Hitches

IMPORTANT: The bracket/hole placement is a suggestion. Frames vary! Always check the frame prior to drilling if this is the best location for the brackets. If the suggested holes are not ideal, move to the next closest hole.			Measurement end of rail to end of box			Frame Bracket placement by hole number (see drawing below)
			Comp. box 6.2'	Short box 6.5"	Long box 8'	
Hitch application	Notes	Years				
Ford Superduty Drill Application	Ext, Reg, Quad Cabs	04 - 07	see notes	21.25" ²	21.25" ²	FL603/FR603 - 2, FL602/FR602 - 3 & 6
Ford Superduty Drill Application	Ext, Reg, Quad Cabs	97 - 03	see notes	20.5" ²	21.25" ²	FL603/FR603 - 2, FL602/FR602 - 3 & 6
Ford Pick Ups Drill Application	Ext, Reg, Quad Cabs	73 - 96	see notes	19" ²	23.25" ²	FL603/FR603 - 2, FL602/FR602 - 3 & 6

NOTE #1: Can be installed on compact box. Must be used with 10" King Pin extension or with the Reese Sidewinder use the RBW Wedge.
NOTE #2: Place center of king pin 1"-2" ahead of the axle when in travel position (closest to cab).



*** At any point during installation, ensure that once placement is made, there are NO lines or wires interfering prior to drilling.**

Parts List		Contents of Bolt Pack # 73808	Tools Required
1	FL603 Frame Bracket	6 Carriage Bolt 1/2 x 3, Grade 5, UNC, Plated	3/4" Wrench and Socket 100 FT Torque Wrench Drill and 1/2" Drill Bit
1	FR603 Frame Bracket	6 Flat Washer 1/2, Plated	
2	FL602 Frame Bracket	12 Hex Bolt 1/2 x 1-1/2, Grade 5, UNC, Plated	
2	FR602 Frame Bracket	18 Hex Nut 1/2, Grade 5, UNC, Plated	
1	Bolt Pack # 73808	18 Lock Washer 1/2, Grade 5, Plated	
1	DSP Warranty Card		
1	Instructions F70000 Series		
Ship. Weight:	23.4 lbs. 10.6 kg.		

Bed Rail Placement: 1) Follow the general installation guidelines for the assembly of the upper half of hitch system of your choice that is included with the system. The rails have a closed end and an open end (to slide the hitch in and out). Place closed end near cab. Slide the hitch into rails and lock in travel position (closest to end of the rail near cab). Place system with rails in the truck box and use measurements above as a guideline. Center hitch in between wheel wells. This installation recommends the use of a set of two (2) bed rail rib spacers #73551P. Rib spacers keep the rail level during installation and usage of the hitch. Place rib spacers between box and rails. **Note:** For best results for the installation of gooseneck hitches, install or use a fifth wheel hitch as a template or refer to the measurements under general "Gooseneck Hitch" installation guidelines.

Bed Rail Mounting: 2) Centre the rails in the bed of the truck box with the measurements listed on the information chart above for long, short or compact boxes. From side to side using the rails as a template, *drill holes #2, 3 & 6 through the floor of the truck bed then drop the 1/2" x 3" Carriage Bolts into the holes.

Frame Bracket Placement and Mounting 3) Place the supplied brackets upon the bolts that were installed in the box in step 2. Note some brackets may be easier to place than others depending on their locations.

4) Once brackets are installed in the order they fit best, tighten all brackets to the box using the supplied fasteners. Once they are tightened, *drill holes using the bracket as a template. Make sure there are no lines or wires interfering during *drilling. After *drilling is complete install the 1/2" x 1 1/2" Hex Bolts to secure the brackets to the frame rails.
5) Tighten all mounting fasteners to the correct torque specifications listed below.

Bolt Size	Grade 5 Torque	Metric	Grade 8.8 Torque
9/16	110 Ft. Lb.	8 mm	18 Ft. Lb.
7/16	54 Ft. Lb.	10 mm	36 Ft. Lb.
1/2	72 Ft. Lb.	12 mm	75 Ft. Lb.
5/8	150 Ft. Lb.	14 mm	103 Ft. Lb.
3/4	245 Ft. Lb.		Maximum torque for weld or weld nuts is 38 FT/Lb

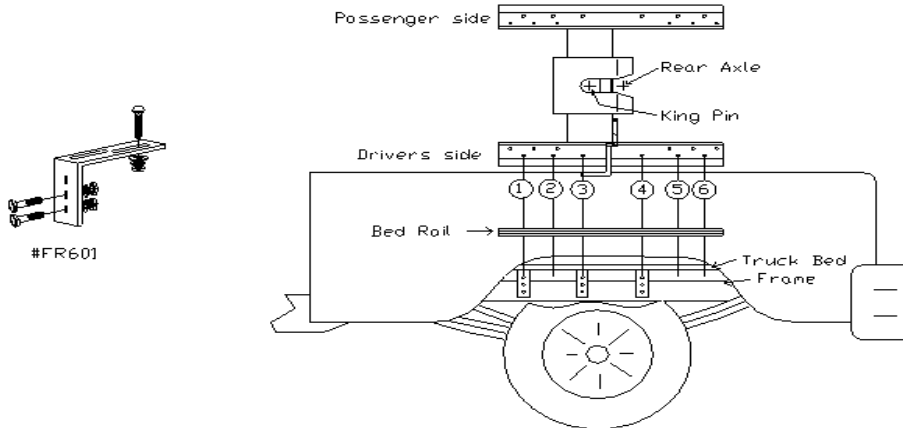
Warning: Check Fasteners annually or before usage, if the hitch is damaged replacement may be necessary
Do Not exceed hitch manufactures hitch ratings listed above, DO NOT drill or alter this product. This product is only intended for the application listed above, see vehicle owner's manual for maximum towing capacity (GVWR). This product is intended for usage with the correct towing accessories and not to be used with tow ropes, cables, chains or any type of stretch or elastic rope.

Hitch application			Measurement end of rail to end of box			Frame Bracket placement by hole number (see drawing below)
			Comp. box 6.2'	Short box 6.5'	Long box 8'	
IMPORTANT: The bracket/hole placement is a suggestion. Frames vary! Always check the frame prior to drilling if this is the best location for the brackets. If the suggested holes are not ideal, move to the next closest hole.						
Notes	Years					
Ford F-Series	Light Duty (channel)	2004-2007	see notes	20.5" ²	20.5" ²	FL601/FR601 - 2, 3 & 6
	Super Duty (channel)	2004-cur ³	see notes	21.25" ²	21.25" ²	FL601/FR601 - 2, 3 & 6
	All (channel)	1997-2003	see notes	20.5" ²	21.25" ²	FL601/FR601 - 2, 3 & 6
	All (channel)	1973-1996	see notes	19" ²	23.25" ²	FL601/FR601 - 2, 3 & 6
Chev/Gmc	New Generation	2009-2010	see notes	18" ²	23" ²	FL601/FR601 - 1, 3 & 4
	Light Duty (classic)	1999-2009	see notes	18" ²	23" ²	FL601/FR601 - 1, 3 & 4
	All (classic)	1967-1998	see notes	18" ²	23" ²	FL601/FR601 - 1, 3 & 5
Dodge	2500 & up (channel)	2001-2002	see notes	19" ²	21.5" ²	FL601/FR601 - 2, 3 & 6
	all (channel)	1973-2001	see notes	18.25" ²	21.75" ²	FL601/FR601 - 2, 3 & 6

NOTE #1: Can be installed on compact box. Must be used with 10" King Pin extension or with the Reese Sidewinder use the RBW Wedge.

NOTE #2: Place center of king pin 1"-2" ahead of the axle when in travel position (closest to cab).

NOTE #3: Without Factory Prep Package ONLY



Note: Hole drilled through Bed rail will vary with truck application
See listings above for holes to truck application

*** At any point during installation, ensure that once placement is made, there are NO lines or wires interfering prior to drilling.**

Parts List	Contents of Bolt Pack # 73808	Tools Required
3 FL601 Frame Bracket	6 Carriage Bolt 1/2 x 3, Grade 5, UNC, Plated	3/4" Wrench and Socket 100 FT Torque Wrench Drill and 1/2" Drill Bit
3 FR601 Frame Bracket	6 Flat Washer 1/2, Plated	
1 Bolt Pack # 73808	12 Hex Bolt 1/2 x 1-1/2, Grade 5, UNC, Plated	
1 DSP Warranty Card	18 Hex Nut 1/2, Grade 5, UNC, Plated	
1 Instructions F70000 Series	18 Lock Washer 1/2, Grade 5, Plated	
Shipping weight:	17.4 lbs. 7.9 kg.	

Bed Rail Placement: 1) Follow the general installation guidelines for the assembly of the upper half of hitch system of your choice that is included with the system. The rails have a closed end and an open end (to slide the hitch in and out). Place closed end near cab. Slide the hitch into rails and lock in travel position (closest to end of the rail near cab). Place system with rails in the truck box and use measurements above as a guideline. Center hitch in between wheel wells. This installation recommends the use of a set of two (2) bed rail rib spacers #73551P. Rib spacers keep the rail level during installation and usage of the hitch. Place rib spacers between box and rails.

Note: For best results for the installation of gooseneck hitches, install or use a fifth wheel hitch as a template or refer to the measurements under general "Gooseneck

Bed Rail Mounting: 2) Centre the rails in the bed of the truck box with the measurements listed on the information chart above for long, short or compact boxes. From side to side using the rails as a template, *drill holes through the floor of the truck bed then drop the 1/2" x 3" Carriage Bolts into the holes. See above for holes to drill.

Frame Bracket Placement and Mounting 3) Place the supplied brackets upon the bolts that were installed in the box in step 2. Note some brackets may be easier to place than others depending on their locations.

4) Once brackets are installed in the order they fit best, tighten all brackets to the box using the supplied fasteners. Once they are tightened, *drill hole using the bracket as a template. Make sure there are no lines or wires interfering during *drilling. After *drilling is complete install the 1/2"x1-1/2" Hex Bolts to secure the brackets to the

5) Tighten all mounting fasteners to the correct torque specifications listed below.

Bolt Size	Grade 5 Torque	Metric	Grade 8.8 Torque
9/16	110 Ft. Lb	8 mm	18 Ft. Lb.
7/16	54 Ft. Lb	10 mm	36 Ft. Lb.
1/2	72 Ft. Lb.	12 mm	75 Ft. Lb.
5/8	150 Ft. Lb	14 mm	103 Ft. Lb.
3/4	245 Ft. Lb		Maximum torque for weld or weld nuts is 38 FT/Lb

Warning: Check Fasteners annually or before usage, if the hitch is damaged replacement may be necessary

Do Not exceed hitch manufactures hitch ratings listed above, DO NOT drill or alter this product. This product is only intended for the application listed above, see vehicle owner's manual for maximum towing capacity (GVWR). This product is intended for usage with the correct towing accessories and not to be used with tow ropes, cables, chains or any type of stretch or elastic rope.

DSP Hitches are manufactured by Diversified Steel Products MFG. LTD Edmonton Alberta, Canada
For more information on DSP and DSP products call 1-800-265-3377 or visit us at www.dsphitches.com