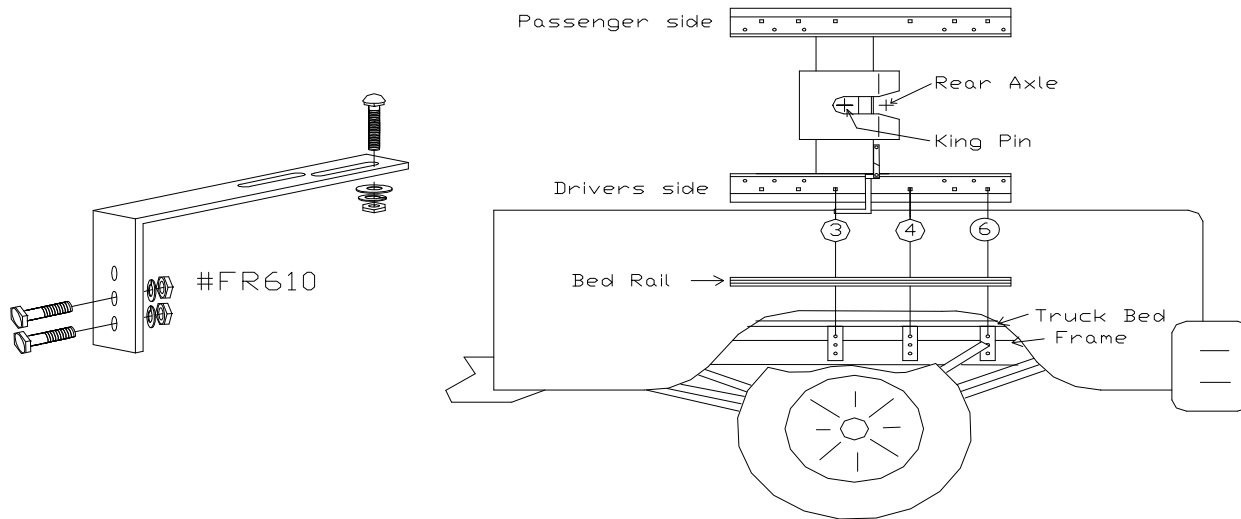


73751
Frame Bracket Kit for DSP
24" DP FW & GN Hitches

IMPORTANT: The bracket/hole placement is a suggestion. Frames vary! Always check the frame prior to drilling if this is the best location for the brackets. If the suggested holes are not ideal, move to the next closest hole.			Measurement end of rail to end of box			Frame Bracket placement by hole number (see drawing below)
Hitch application	Notes	Years	Comp. box 6.2'	Short box 6.5'	Long box 8'	
Dodge RAM	1500 only (tube frame)	2001-02	see notes	19" ^z	21.5" ^z	FL610/FR610 - 3, 4 & 6
Dodge RAM	All (tube frame)	2003-10	see notes	19" ^z	21.5" ^z	FL610/FR610 - 3, 4 & 6
Dodge RAM	1500 coil springs only	2008-10	see notes	19" ^z	21.5" ^z	FL610/FR610 - 3, 5 & 6

NOTE #1: Can be installed on compact box. Must be used with 10" King Pin extension or with the Reese Sidewinder use the RBW Wedge.
NOTE #2: Place center of king pin 1"-2" ahead of the axle when in travel position (closest to cab).



*** At any point during installation, ensure that once placement is made, there are NO lines or wires interfering prior to drilling.**

Parts List	Contents of Bolt Pack # 73808	Tools Required
3 FL610 Frame Bracket	6 Carriage Bolt 1/2 x 3, Grade 5, UNC, Plated	3/4" Wrench and Socket 100 FT Torque Wrench Drill and 1/2" Drill Bit
3 FR610 Frame Bracket	6 Flat Washer 1/2, Plated	
1 Bolt Pack # 73808	12 Hex Bolt 1/2 x 1-1/2, Grade 5, UNC, Plated	
1 DSP Warranty Card	18 Hex Nut 1/2, Grade 5, UNC, Plated	
1 Instructions F70000 Series	18 Lock Washer 1/2, Grade 5, Plated	
Shipping weight: 42 lbs. / 19.1 kg.		

Bed Rail Placement: 1) Follow the general installation guidelines for the assembly of the upper half of hitch system of your choice that is included with the system. The rails have a closed end and an open end (to slide the hitch in and out). Place closed end near cab. Slide the hitch into rails and lock in travel position (closest to end of the rail near cab). Place system with rails in the truck box and use measurements above as a guideline. Center hitch in between wheel wells. This installation recommends the use of a set of two (2) bed rail rib spacers #73551P. Rib spacers keep the rail level during installation and usage of the hitch. Place rib spacers between box and rails.

Note: For best results for the installation of gooseneck hitches, install or use a fifth wheel hitch as a template or refer to the measurements under general "Gooseneck Hitch" installation guidelines.

Bed Rail Mounting: Centre the rails in the bed of the truck box with the measurements listed on the information chart above for long, short or compact boxes. From side to side using the rails as a template, *drill holes as specified above through the floor of the truck bed then drop the 1/2" x 3" carriage bolts into the holes.

Frame Bracket Placement and Mounting: Place the supplied brackets upon the bolts that were installed in the box in step 2. Note some brackets may be easier to place than others depending on their locations.

Once brackets are installed in the order they fit best, tighten all brackets to the box using the supplied fasteners. Once they are tightened, *drill holes using the bracket as a template. Make sure there are no lines or wires interfering during *drilling. After *drilling is complete install the 1/2"x1-1/2" Hex Bolts to secure the brackets to the frame. Tighten all mounting fasteners to the correct torque specifications listed below.

Bolt Size	Grade 5 Torque	Metric	Grade 8.8 Torque
9/16	110 Ft. Lb	8 mm	18 Ft. Lb.
7/16	54 Ft. Lb	10 mm	36 Ft. Lb.
1/2	72 Ft. Lb.	12 mm	75 Ft. Lb.
5/8	150 Ft. Lb	14 mm	103 Ft. Lb.
3/4	245 Ft. Lb	Maximum torque for weld or weld nuts is 38 FT/Lb	

Warning: Check Fasteners annually or before usage, if the hitch is damaged replacement may be necessary
Do Not exceed hitch manufactures hitch ratings listed above, DO NOT drill or alter this product. This product is only intended for the application listed above, see vehicle owner's manual for maximum towing capacity (GVWR). This product is intended for usage with the correct towing accessories and not to be used with tow ropes, cables, chains or any type of stretch or elastic rope.

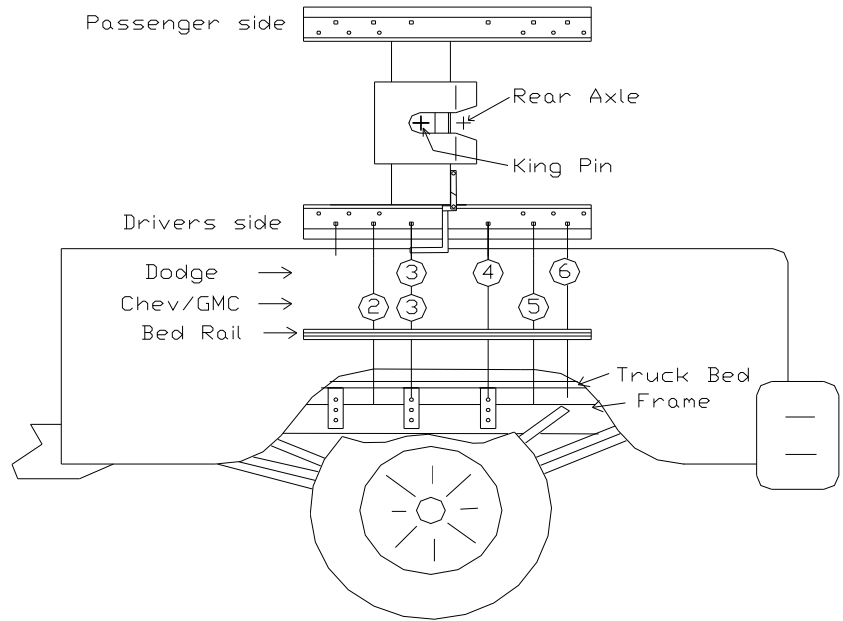
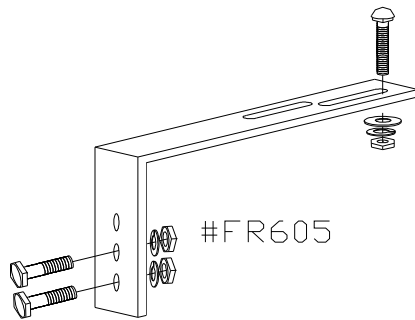
73752
Frame Bracket Kit for DSP
24" DP FW & GN Hitches

IMPORTANT: The bracket/hole placement is a suggestion. Frames vary! Always check the frame prior to drilling if this is the best location for the brackets. If the suggested holes are not ideal, move to the next closest hole.			Measurement end of rail to end of box			Frame Bracket placement by hole number (see drawing below)
Hitch application	Notes	Years	Comp. box 6.2'	Short box 6.5'	Long box 8'	
Dodge	ALL	2011-2012	see notes	18.75" ^z	21.5" ^z	FL605/FR605 - 3, 4 & 6
Dodge 1500/2500	Uni-Tube Frame, Leaf Springs	2013	see notes	18.75" ^z	21.5" ^z	FL605/FR605 - 3, 4 & 6
Dodge 1500	Air Ride Suspension, Leaf Springs	2014-cur	see notes	18.75" ^z	21.5" ^z	FL605/FR605 - 3, 4 & 6
Chev/GMC 1500	Ext, Reg, Quad Cabs	2014-cur	see notes	18" ^z	23" ^z	FL605/FR605 - 2, 3 & 5

NOTE #1: Can be installed on compact box. Must be used with 10" King Pin extension or with the Reese Sidewinder use the RBW Wedge.

NOTE #2: Place center of king pin 1"-2" ahead of the axle when in travel position (closest to cab).

7 3 7 5 2



*** At any point during installation, ensure that once placement is made, there are NO lines or wires interfering prior to drilling.**

Parts List		Contents of Bolt Pack # 73809	Tools Required
3	FL605 Frame Bracket	1 Bolt Leader 48"	3/4" Wrench and Socket 100 FT Torque Wrench Drill and 1/2" Drill Bit
3	FR605 Frame Bracket	6 Carriage Bolt 1/2 x 3, Grade 5, UNC, Plated	
1	Bolt Pack # 73809	12 Flat Washer 1/2, Plated	
1	DSP Warranty Card	12 Hex Bolt 1/2 x 1-1/2, Grade 5, UNC, Plated	
1	Instructions F70000 Series	18 Hex Nut 1/2, Grade 5, UNC, Plated	
1	Shipping weight: 26 lbs. / 11.8 kg.	18 Lock Washer 1/2, Grade 5, Plated 2 # 91120 Reinforcement Spacer	

Bed Rail Placement: 1) Follow the general installation guidelines for the assembly of the upper half of hitch system of your choice that is included with the system. The rails have a closed end and an open end (to slide the hitch in and out). Place closed end near cab. Slide the hitch into rails and lock in travel position (closest to end of the rail near cab). Place system with rails in the truck box and use measurements above as a guideline. Center hitch in between wheel wells. This installation recommends the use of a set of two (2) bed rail rib spacers #73551P. Rib spacers keep the rail level during installation and usage of the hitch. Place rib spacers between box and rails. **Note:** For best results for the installation of gooseneck hitches, install or use a fifth wheel hitch as a template or refer to the measurements under general "Gooseneck Hitch" installation guidelines.

Bed Rail Mounting: Centre the rails in the bed of the truck box with the measurements listed on the information chart above for long, short or compact boxes. From side to side using the rails as a template, *drill holes as indicated above through the floor of the truck bed then drop the 1/2" x 3" carriage bolts into the holes.

Frame Bracket Placement and Mounting: Place the supplied brackets upon the bolts that were installed in the box in step 2. Note some brackets may be easier to place than others depending on their locations.

Once brackets are installed in the order they fit best, tighten all brackets to the box using the supplied fasteners. Once they are tightened, *drill holes using the bracket as a template. Make sure there are no lines or wires interfering during *drilling. After *drilling is complete install the 1/2"x1-1/2" Hex Bolts to secure the brackets to the frame rails.

Tighten all mounting fasteners to the correct torque specifications listed below.

Bolt Size	Grade 5 Torque	Metric	Grade 8.8 Torque
9/16	110 Ft. Lb.	8 mm	18 Ft. Lb.
7/16	54 Ft. Lb.	10 mm	36 Ft. Lb.
1/2	72 Ft. Lb.	12 mm	75 Ft. Lb.
5/8	150 Ft. Lb.	14 mm	103 Ft. Lb.
3/4	245 Ft. Lb.		

Maximum torque for weld or weld nuts is 38 FT/Lb

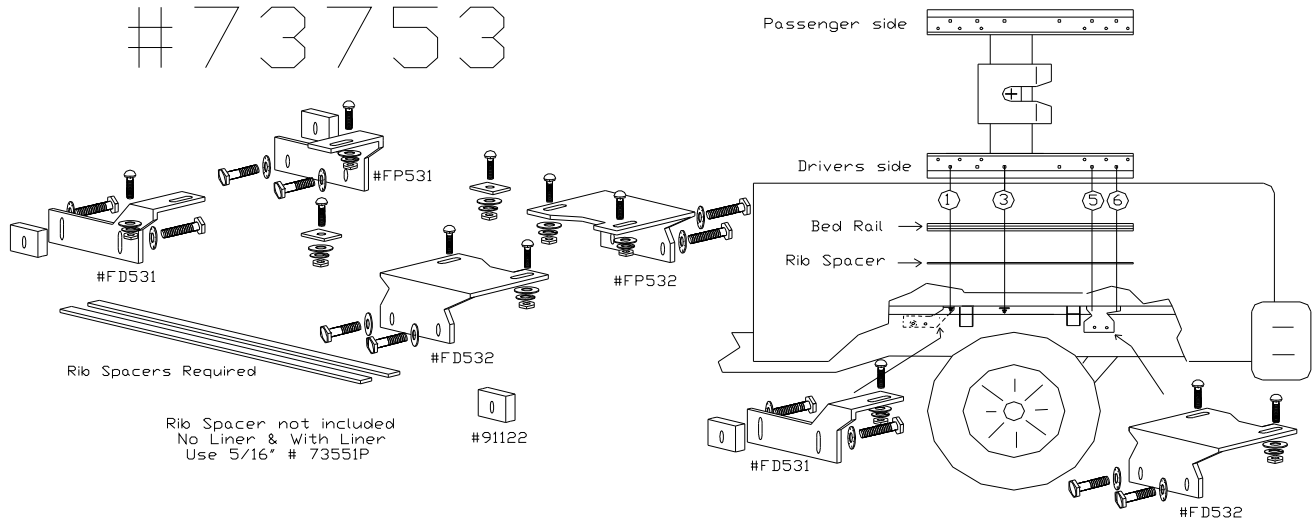
Warning: Check Fasteners annually or before usage, if the hitch is damaged replacement may be necessary

Do Not exceed hitch manufactures hitch ratings listed above, DO NOT drill or alter this product. This product is only intended for the application listed above, see vehicle owner's manual for maximum towing capacity (GVWR). This product is intended for usage with the correct towing accessories and not to be used with tow ropes, cables, chains or any type of stretch or elastic rope.

73753
Frame Bracket Kit for DSP
24" DP FW & GN Hitches

IMPORTANT: The bracket/hole placement is a suggestion. Frames vary! Always check the frame prior to drilling if this is the best location for the brackets. If the suggested holes are not ideal, move to the next closest hole.			Measurement end of rail to end of box			Frame Bracket placement by hole number (see drawing below)
Hitch application	Notes	Years	Comp. box 6.2'	Short box 6.5'	Long box 8'	
Dodge Ram 2500	Coil Springs	2014-cur	SEE NOTE#1	18.75" ²	21.5" ²	FD531/FP531 - 1, FD532/FP532 - 5 & 6

NOTE #1: Can be installed on compact box. Must be used with 10" King Pin extension or with the Reese Sidewinder use the RBW Wedge.
NOTE #2: Place center of king pin 1"-2" ahead of the axle when in travel position (closest to cab).



* At any point during installation, ensure that once placement is made, there are NO lines or wires interfering prior to drilling.

Parts List	Contents of Bolt Pack # 73753B	Tools Required
1 Frame Bkt FD531 Driver Side Front 1 Frame Bkt FP531 Passenger Side Front 1 Frame Bkt FD532 Driver Side Rear 1 Frame Bkt FP532 Passenger Side Rear 1 Bolt Pack # 73753/B 1 DSP Warranty Card 1 Instructions F70000 Series	8 Carriage Bolt 1/2 x 3 Fully Threaded, Grade 5, UNC, Plated 6 Bolt Metric M12-1.5 x 35mm 10.9 bare 2 TAP Bolt Metric M12-1.5 x 45mm 8.8 bare 8 Conical Washer 1/2 Style 8 STL Zinc 8 Lock Washer 1/2, Grade 5, UNC, Plated 8 Flat Washer 1/2, Plated 8 Hex Nut 1/2, Grade 5, UNC, Plated 2 Spacer #91122	1/2" & 19mm Wrench and Socket 100 FT Torque Wrench Drill and 3/8" and 1/2" drill bit Drilling through box required. No drilling on frame.
Ship 30.3 Lbs. Weight 13.8 Kg.		

Truck Preparation: 1) Lower/remove spare tire and remove all plastic cladding near rear tires.

Bed Rail Placement: 2) Follow the general installation guidelines for the assembly of the upper half of hitch system of your choice that is included with the system. The rails have a closed end and an open end (to slide the hitch in and out). Place closed end near cab. Slide the hitch into rails and lock in travel position (closest to end of the rail near cab). Place system with rails in the truck box and use measurements above as a guideline. Center hitch in between wheel wells. **This installation requires the use of bed rail rib spacers # 73551P (pair).** Rib spacers keep the rail level during installation and usage of the hitch. Place rib spacers between box and rails. **Note:** For best results for the installation of gooseneck hitches, install or use a fifth wheel hitch as a template or refer to the measurements under general "Gooseneck Hitch" installation guidelines.

Bed Rail Mounting: 3) Drill pilot holes through holes 1, 3, 5 & 6 of the box (see chart above). Check if there are any obstructions for the placement of the brackets.

IMPORTANT: For added security and stability, hole #3 will require a carriage bolt as a dummy bolt, which will not be fastened to a bracket. Drop the 1/2x3" carriage bolts

Frame Bracket Placement: 4) Locate rear metric weld nuts on the outside of the frame. Place brackets FD532 and FP532 onto frame from outside as shown above, lining up holes with metric weld nuts. Use metric bolt M12-1.5 x 35mm and 1/2" conical tooth washer to secure the brackets and hand tighten.

5) Locate front metric weld nuts on the inside of the frame. Place FD531 and FP531 onto frame from inside as shown above lining up holes with metric weld nuts. Use the large spacer #91122 and place between bracket and frame for hole closest to cab and secure bracket with metric tap bolt M12-1.5 x 45mm with 1/2" conical tooth washer and hand tighten. For other hole, use metric bolt M12-1.5 x 35mm with 1/2" conical tooth washer and hand tighten.

6) Place 1/2" flat washer, lock washer and hex nut on carriage bolts which were dropped through the truck bed and hand tighten.

7) Tighten all fasteners to torque specifications below.

Bolt Size	Grade 5 Torque	Metric	Grade 8.8 Torque
9/16	110 Ft. Lb	8 mm	18 Ft. Lb.
7/16	54 Ft. Lb	10 mm	36 Ft. Lb.
1/2	72 Ft. Lb.	12 mm	75 Ft. Lb.
5/8	150 Ft. Lb	14 mm	103 Ft. Lb.
3/4	245 Ft. Lb	Maximum torque for weld or weld nuts is 38 FT/Lb	

Warning: Check Fasteners annually or before usage, if the hitch is damaged replacement may be necessary

Do Not exceed hitch manufactures hitch ratings listed above, DO NOT drill or alter this product. This product is only intended for the application listed above, see vehicle owner's manual for maximum towing capacity (GVWR). This product is intended for usage with the correct towing accessories and not to be used with tow ropes, cables, chains or any type of stretch or elastic rope.

DSP Hitches are manufactured by Diversified Steel Products MFG. LTD Edmonton Alberta, Canada

For more information on DSP and DSP products call 1-800-265-3377 or visit us at www.dsphitches.com

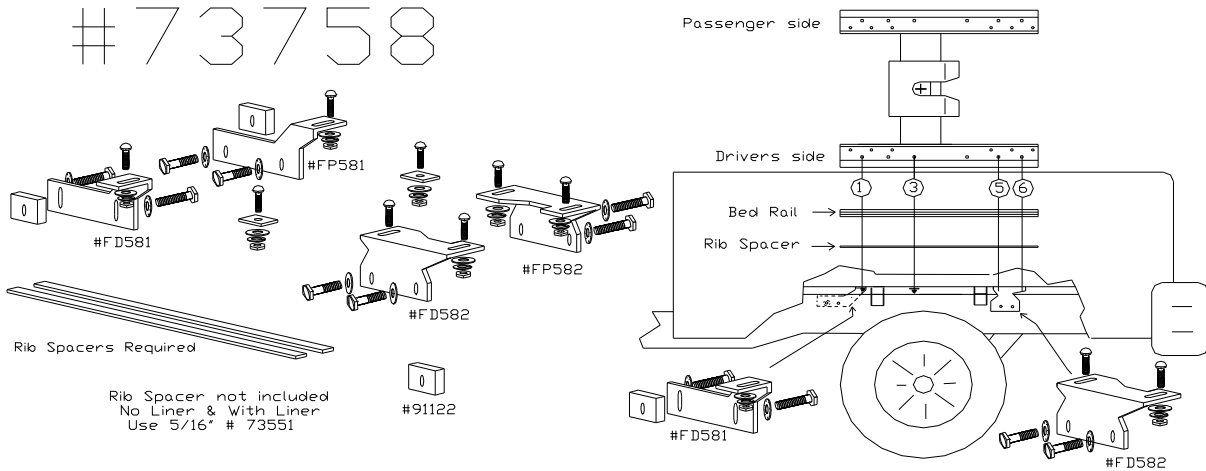
IMPORTANT: The bracket/hole placement is a suggestion. Frames vary! Always check the frame prior to drilling if this is the best location for the brackets. If the suggested holes are not ideal, move to the next closest hole.

Hitch application	Notes	Years	Measurement end of rail to end of box			Frame Bracket placement by hole number (see drawing below)
			Comp. box 6.2'	Short box 6.5'	Long box 8'	
Dodge Ram 2500	Coil Springs	2014-cur	SEE NOTE#1	18.75" ^z	21.5" ^z	FD581/FP581 - 1, FD582/FP582 - 5 & 6

NOTE #1: Can be installed on compact box. Must be used with 10" King Pin extension or with the Reese Sidewinder use the RBW Wedge.

NOTE #2: Place center of king pin 1"-2" ahead of the axle when in travel position (closest to cab).

NOTE #3: On older model fifth wheel crossbars the handle may require altering by bending with heat to avoid close proximity to box.



*** At any point during installation, ensure that once placement is made, there are NO lines or wires interfering prior to drilling.**

Parts List	Contents of Bolt Pack # 73758B	Tools Required
1 Frame Bkt FD581 Driver Side Front	8 Carriage Bolt 1/2 x 3 Fully Threaded, Grade 5, UNC, Plated	1/2" & 19mm Wrench and Socket 100 FT Torque Wrench Drill and 3/8" and 1/2" drill bit
1 Frame Bkt FP581 Passenger Side Front	6 Bolt Metric M12-1.5 x 35mm 10.9 bare	
1 Frame Bkt FD582 Driver Side Rear	2 TAP Bolt Metric M12-1.5 x 45mm 8.8 bare	
1 Frame Bkt FP582 Passenger Side Rear	8 Conical Washer 1/2 Style 8 STL Zinc	
1 Bolt Pack # 73758/B	8 Lock Washer 1/2, Grade 5, UNC, Plated	
1 DSP Warranty Card	8 Flat Washer 1/2, Plated	
1 Instructions F70000 Series	8 Hex Nut 1/2, Grade 5, UNC, Plated	
Ship Weight: 20.4 Lbs. / 9.3 Kg.	2 Spacer #91122	Drilling through box required. No drilling on frame.

Truck Preparation: 1) Lower/remove spare tire and remove all plastic cladding near rear tires.

Bed Rail Placement: 2) Follow the general installation guidelines for the assembly of the upper half of hitch system of your choice that is included with the system. The rails have a closed end and an open end (to slide the hitch in and out). Place closed end near cab. Slide the hitch into rails and lock in travel position (closest to end of the rail near cab). Place system with rails in the truck box and use measurements above as a guideline. Center hitch in between wheel wells. **This installation requires the use of two (2) bed rail rib spacers # 73551.** Rib spacers keep the rail level during installation and usage of the hitch. Place rib spacers between box and rails. **Note:** For best results for the installation of gooseneck hitches, install or use a fifth wheel hitch as a template or refer to the measurements under general "Gooseneck Hitch" installation guidelines.

Bed Rail Mounting: 3) Drill pilot holes through holes 1, 3, 5 & 6 of the box (see chart above). Check if there are any obstructions for the placement of the brackets. **IMPORTANT:** For added security and stability, hole #3 will require a carriage bolt as a dummy bolt, which will not be fastened to a bracket. Drop the 1/2x3" carriage bolts through the rails and

Frame Bracket Placement: 4) Locate rear metric weld nuts on the outside of the frame. Place brackets FD582 and FP582 onto frame from outside as shown above, lining up holes with metric weld nuts. Use metric bolt M12-1.5 x 35mm and 1/2" conical tooth washer to secure the brackets and hand tighten.

5) Locate front metric weld nuts on the inside of the frame. Place FD581 and FP581 onto frame from inside as shown above lining up holes with metric weld nuts. Use the large spacer #1 and place between bracket and frame for hole closest to cab and secure bracket with metric tap bolt M12-1.5 x 45mm with 1/2" conical tooth washer and hand tighten. For other hole, use metric bolt M12-1.5 x 35mm with 1/2" conical tooth washer and hand tighten.

6) Place 1/2" flat washer, lock washer and hex nut on carriage bolts which were dropped through the truck bed and hand tighten.

7) Tighten all fasteners to torque specifications below.

Bolt Size	Grade 5 Torque	Metric	Grade 8.8 Torque
9/16	110 Ft. Lb.	8 mm	18 Ft. Lb.
7/16	54 Ft. Lb.	10 mm	36 Ft. Lb.
1/2	72 Ft. Lb.	12 mm	75 Ft. Lb.
5/8	150 Ft. Lb.	14 mm	103 Ft. Lb.
3/4	245 Ft. Lb.	Maximum torque for weld or weld nuts is 38 FT/Lb	

Warning: Check Fasteners annually or before usage, if the hitch is damaged replacement may be necessary

Do Not exceed hitch manufactures hitch ratings listed above, DO NOT drill or alter this product. This product is only intended for the application listed above, see vehicle owner's manual for maximum towing capacity (GVWR). This product is intended for usage with the correct towing accessories and not to be used with tow ropes, cables, chains or any type of stretch or elastic rope.

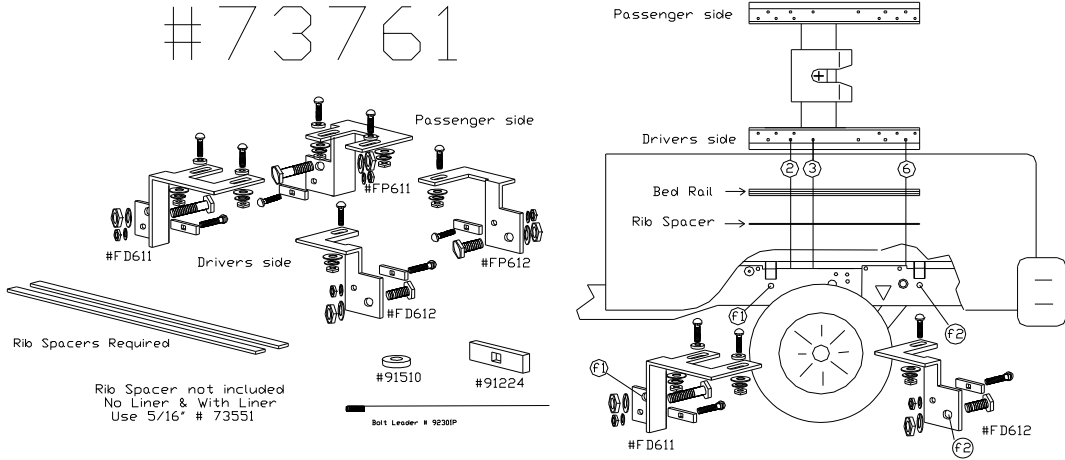
DSP Hitches are manufactured by Diversified Steel Products MFG. LTD Edmonton Alberta, Canada
For more information on DSP and DSP products call 1-800-265-3377 or visit us at www.dspatches.com

73761
Frame Bracket Kit for DSP
24" DP FW & GN Hitches

IMPORTANT: The bracket/hole placement is a suggestion. Frames vary! Always check the frame prior to drilling if this is the best location for the brackets. If the suggested holes are not ideal, move to the next closest hole.

Measurement end of rail to end of box			Frame Bracket placement by hole number (see drawing below)
Comp. box 6.2'	Short box 6.5'	Long box 8'	
Dodge Ram 1500	Coil Springs only	2013-cur	see notes
Dodge Ram 3500	all, incl. RAMBOX (see note #2 below)	2013-cur	See Note#2
Dodge Ram 2500/3500/4500	leaf springs only, incl. RAMBOX (#2)	2014-cur	See Note#2
			Placement of brackets may vary
			FD611/FP611-2&3, FD612/FP612-5
			FD611/FP611-2&3, FD612/FP612-5

NOTE #1: Can be installed on compact box. Must be used with 10" King Pin extension or with the Reese Sidewinder use the RBW Wedge.
NOTE #2: Place center of king pin 1"-2" ahead of the axle when in travel position (closest to cab).
NOTE #3: On some applications, hole #F2 (see drawing below) may be missing and need to be drilled. In addition, the muffler hanger on the passenger side may require modification.



*** At any point during installation, ensure that once placement is made, there are NO lines or wires interfering prior to drilling.**

Parts List	Contents of Bolt Pack # 73761/B	Tools Required
1 Frame Bkt FD611 Driver Side Front	4 Carriage Bolt 1/2 x 3 Fully Threaded, Grade 5, UNC, Plated	3/4" & 1 1/8" Wrench and Socket
1 Frame Bkt FP611 Passenger Side Front	4 Carriage Bolt 1/2 x 1-1/2, Grade 5, UNC, Plated	100 FT Torque Wrench
1 Frame Bkt FD612 Driver Side Rear	2 Hex Bolt 1/2 x 3, Grade 5, NC, Plated, FULL THREAD	Drill and 1/2" & 3/8" drill bit or step drill bit
1 Frame Bkt FP612 Passenger Side Rear	2 Hex Bolt 3/4-10 x 4-1/2, Grade 5, UNF, Plated	12" pieces of 2 x 4 wood
1 Bolt Pack # 73761/B	2 Hex Bolt 3/4 x 1-1/2, Grade 5, UNC Plated	IMPORTANT! Installation Notes for Dodge 1500 Coil Spring: For placement of brackets: look for best position on frame to install brackets (see note#2). Holes in truck will most likely not match up with any holes on frames brackets. Requires drilling of all holes.
1 DSP Warranty Card	10 Lock Washer 1/2, Grade 5, UNC, Plated	
1 Instructions F70000 Series	4 Lock Washer 3/4, "C" Plated	
	6 Flat Washer 1/2, Plated	
	10 Hex Nut 1/2, Grade 5, UNC, Plated	
	4 Hex Nut 3/4-10 Grade 2, UNC Plated	
	4 SPACER 1/2" SQ HOLE, 2-3/4"L x 3/4" W 1/4"MAT	
	4 SPACER 1-1/4" ROUND HOLE MATERIAL 3/8"	
	1 Bolt Leader 24"	
Ship Weight: 33.3 Lbs. / 15.1 Kg.		

Bed Rail Placement: 1) Follow the general installation guidelines for the assembly of the upper half of hitch system of your choice that is included with the upper half of the system. The rails have a closed side and an open side (to slide the hitch in and out). Place closed end near cab. Slide the hitch into rails and lock in travel position (closest to end of the rail near cab). Place system with rails in the truck box and use measurements above as a guideline. Center hitch in between wheel wells. **Note:** For best results for the installation of the gooseneck hitches, install or use a fifth wheel hitch as a template or refer to the measurements under general "Gooseneck Hitch" installation guidelines. **This installation requires the use of a set of two (2) bed rail rib spacers # 73551P.** Rib spacers keep the rail level during installation and usage of the hitch. Place rib spacers between box and rails.

Bed Rail Mounting: 2) Drill pilot holes through the box (see chart above). Check if there are any obstructions for the placement of the brackets. Warning!!! On driver's side, wedge the 2x4" wood pieces between the frame and the floor for drilling holes #2 & 3 to avoid damaging the electric or brake lines. Drop the 1/2x3" carriage bolt through the rail and holes. Note: hole #6 many require a hex bolt instead of a carriage bolt.

Frame Bracket Placement: 3) Place brackets onto frame as shown above lining up the 3/4" hole on the frame bracket to the hole already in existence on your frame (in drawing above: F1 for front brackets and F2 for rear brackets). Wedge spacer #91510 between the box and top of the frame bracket for holes #2 & 3. Secure brackets in place with 3/4x4-1/2" hex bolts for the front brackets and 3/4x1-1/2" hex bolts for the rear brackets and hand tighten using 3/4" lock washer and hex nut. Note: Spare tire shield may need to be loosened to install the 3/4" bolts. Use the frame brackets to mark the remaining holes on the frame to drill.

4) Using a 3/8" drill bit, drill pilot holes into the frame and then enlarge the holes with a step drill or 1/2" drill bit. Place 1/2x1-1/2" carriage bolts and spacer #91224 through the frame into the drilled holes. Hand tighten using 1/2" lock washer and hex nut.

5) Place 1/2" flat washer, lock washer and hex nut on carriage bolts which were dropped through the truck bed and hand tighten.

6) Tighten all 1/2" fasteners to torque specifications below before tightening 3/4" fasteners to torque specifications below.

Bolt Size	Grade 5 Torque	Metric	Grade 8.8 Torque
9/16	110 Ft. Lb.	8 mm	18 Ft. Lb.
7/16	54 Ft. Lb.	10 mm	36 Ft. Lb.
1/2	72 Ft. Lb.	12 mm	75 Ft. Lb.
5/8	150 Ft. Lb.	14 mm	103 Ft. Lb.
3/4	245 Ft. Lb.		Maximum torque for weld or weld nuts is 38 FT/Lb

Warning: Check Fasteners annually or before usage, if the hitch is damaged replacement may be necessary
Do Not exceed hitch manufactures hitch ratings listed above, DO NOT drill or alter this product. This product is only intended for the application listed above, see vehicle owner's manual for maximum towing capacity (GVWR). This product is intended for usage with the correct towing accessories and not to be used with tow ropes, cables, chains or any type of stretch or elastic rope.



Diversified Steel Products Mfg. Ltd.
5645 - 92 Street
Edmonton, AB T6E 3A4 Canada
1 (800) 265-3377

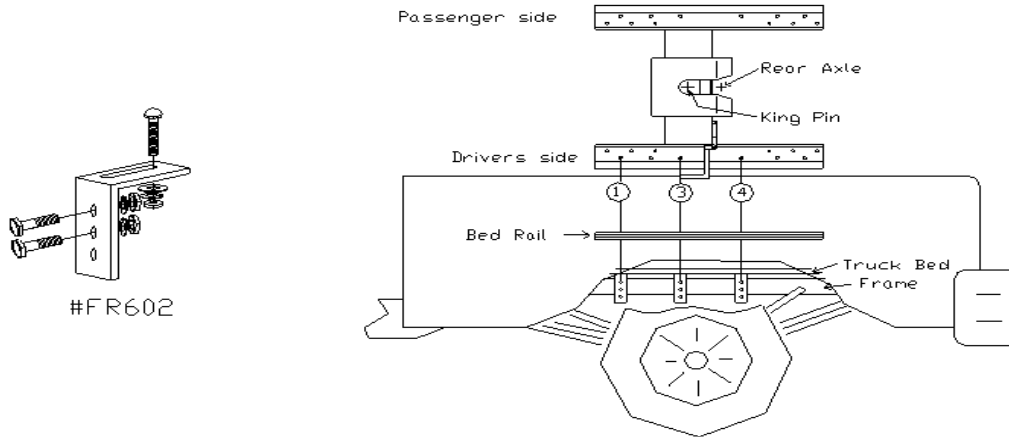
www.dsphitches.com
EST. 1981

73764
Frame Bracket Kit for DSP
35" DP FW & GN Hitches

IMPORTANT: The bracket/hole placement is a suggestion. Frames vary! Always check the frame prior to drilling if this is the best location for the brackets. If the suggested holes are not ideal, move to the next closest hole.			Measurement end of rail to end of box			Frame Bracket placement by hole number (see drawing below)
Hitch application	Notes	Years	Comp. box 6.2'	Short box 6.5'	Long box 8'	
Chev/GMC	Ext, Reg, Quad Cab	67 - 87	see notes	18" ²	23" ²	FL602/FR602 - 1, 3 & 6
Dodge RAM All	Ext, Reg, Quad Cab	73 - 01	see notes	18 1/4" ²	21 3/4" ²	FL602/FR602 - 1, 4 & 5
Dodge RAM 2500 & up (channel)	Ext, Reg, Quad Cab	01 - 02	see notes	19" ²	21 1/2" ²	FL602/FR602 - 2, 3 & 5

NOTE #1: Can be installed on compact box. Must be used with 10" King Pin extension or with the Reese Sidewinder use the RBW Wedge.

NOTE #2: Place center of king pin 1"-2" ahead of the axle when in travel position (closest to cab).



*** At any point during installation, ensure that once placement is made, there are NO lines or wires interfering prior to drilling.**

Parts List	Contents of Bolt Pack # 73808	Tools Required
3 FL602 Frame Bracket	6 Carriage Bolt 1/2 x 3, Grade 5, UNC, Plated	3/4" Wrench and Socket
3 FR602 Frame Bracket	12 Flat Washer 1/2, Plated	100 FT Torque Wrench
1 Bolt Pack # 73808	12 Hex Bolt 1/2 x 1 1/2, Grade 5, UNC, Plated	Drill and 1/2" Drill Bit
1 DSP Warranty Card	18 Lock Washer 1/2", Grade 5, Plated	
1 Instructions F70000 Series	18 Hex Nut 1/2, Grade 5, UNC, Plated	
Shipping weight:	lbs. 21.8 lbs. kg. 9.9 kg.	

Bed Rail Placement: 1) Follow the general installation guidelines for the assembly of the upper half of hitch system of your choice that is included with the system. The rails have a closed end and an open end (to slide the hitch in and out). Place closed end near cab. Slide the hitch into rails and lock in travel position (closest to end of the rail near cab). Place system with rails in the truck box and use measurements above as a guideline. Center hitch in between wheel wells. This installation recommends the use of a set of two (2) bed rail rib spacers #73551P. Rib spacers keep the rail level during installation and usage of the hitch. Place rib spacers between box and rails. **Note:** For best results for the installation of gooseneck hitches, install or use a fifth wheel hitch as a template or refer to the measurements under general "Gooseneck Hitch" installation guidelines.

Bed Rail Mounting: 2) Centre the rails in the bed of the truck box with the measurements listed on the information chart above for long, short or compact boxes from side to side using the rails as a template, *drill holes through the floor of the truck bed. Then drop the 1/2" x 3" Carriage Bolts into the holes. See above for holes to drill.

Frame Bracket Placement and Mounting 3) Place the supplied brackets upon the bolts that were installed in the box in step 2. Note: some brackets may be easier to place than others depending on their locations.

4) Once brackets are installed in the order they fit best, tighten all brackets to the box using the supplied fasteners. Once they are tightened, *drill holes through using the bracket as a template. Make sure there are no lines or wires interfering during *drilling. After *drilling is complete install the 1/2" x 1-1/2" Hex Bolts to secure the brackets to the frame rails.

5) Tighten all mounting fasteners to the correct torque specifications listed below.

Bolt Size	Grade 5 Torque	Metric	Grade 8.8 Torque
9/16	110 Ft. Lb	8 mm	18 Ft. Lb.
7/16	54 Ft. Lb	10 mm	36 Ft. Lb.
1/2	72 Ft. Lb.	12 mm	75 Ft. Lb.
5/8	150 Ft. Lb	14 mm	103 Ft. Lb.
3/4	245 Ft. Lb	Maximum torque for weld or weld nuts is 38 FT/Lb	

Warning: Check Fasteners annually or before usage, if the hitch is damaged replacement may be necessary!

DO NOT exceed hitch manufactures hitch ratings listed above, DO NOT drill or alter this product. This product is only intended for the application listed above, see vehicle owner's manual for maximum towing capacity (GVWR). This product is intended for usage with the correct towing accessories and not to be used with tow ropes, cables, chains or any type of stretch or elastic rope.

DSP Hitches are manufactured by Diversified Steel Products MFG. LTD Edmonton, Alberta, Canada
For more information on DSP and DSP products call 1-800-265-3377 or visit us at www.dsphitches.com

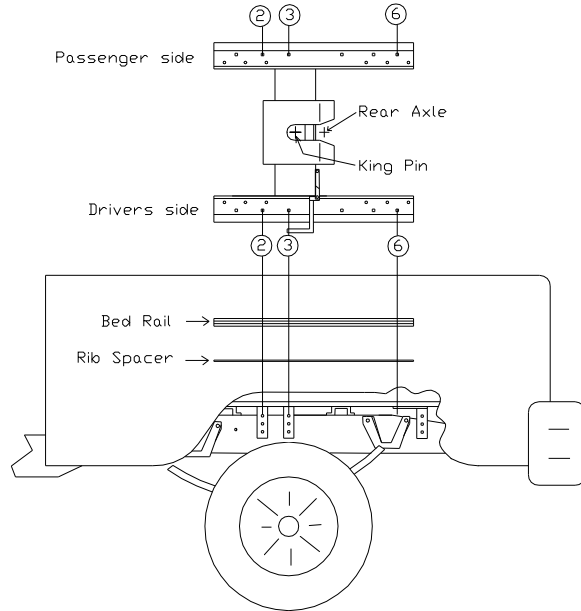
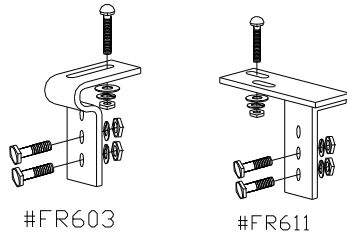
73765
Frame Bracket Kit for DSP
35" DP FW & GN Hitches

IMPORTANT: The bracket/hole placement is a suggestion. Frames vary! Always check the frame prior to drilling if this is the best location for the brackets. If the suggested holes are not ideal, move to the next closest hole.			Measurement end of rail to end of box			Frame Bracket placement by hole number (see drawing below)
Hitch application	Notes	Years	Comp. box 6.2'	Short box 6.5'	Long box 8'	
Dodge RAM 1500 only	Leaf Springs Only	01 - 13	SEE NOTE	19"	21 1/2"	FL603/FR603 - 2 & 3, FL611/FR611 - 6
Dodge RAM 2500	Leaf Springs Only	03 - 13	SEE NOTE	19"	21 1/2"	FL603/FR603 - 2 & 3, FL611/FR611 - 6
Dodge RAM 3500	Leaf Springs Only	03 - 12	SEE NOTE	19"	21 1/2"	FL603/FR603 - 2 & 3, FL611/FR611 - 6

NOTE #1: Can be installed on compact box. Must be used with 10" King Pin extension or with the Reese Sidewinder use the RBW Wedge.

NOTE #2: Place center of king pin 1"-2" ahead of the axle when in travel position (closest to cab).

7 3 7 6 5



Note: Rib Spacers sold separately!

*** At any point during installation, ensure that once placement is made, there are NO lines or wires interfering prior to drilling.**

Parts List	Contents of Bolt Pack # 73809	Tools Required
2 FL603 Frame Bracket	1 Bolt Leader 48"	3/4" Wrench and Socket 100 FT Torque Wrench Drill and 1/2" Drill Bit
2 FR603 Frame Bracket	6 Carriage Bolt 1/2 x 3, Grade 5, UNC, Plated	
1 FL611 Frame Bracket	12 Flat Washer 1/2, Plated	
1 FR611 Frame Bracket	12 Hex Bolt 1/2 x 1-1/2, Grade 5, UNC, Plated	
1 Bolt Pack # 73809	18 Hex Nut 1/2, Grade 5, UNC, Plated	
1 DSP Warranty Card	18 Lock Washer 1/2, Grade 5, Plated	
Shipping weight: lbs. 18.8 kg. 8.5	2 # 91120 Reinforcement Spacer	

Bed Rail Placement: 1) Follow the general installation guidelines for the assembly of the upper half of hitch system of your choice that is included with the system. The rails have a closed end and an open end (to slide the hitch in and out). Place closed end near cab. Slide the hitch into rails and lock in travel position (closest to end of the rail near cab). Place system with rails in the truck box and use measurements above as a guideline. Center hitch in between wheel wells. This installation recommends the use of a set of two (2) bed rail rib spacers #73551P. Rib spacers keep the rail level during installation and usage of the hitch. Place rib spacers between box and rails. **Note:** For best results for the installation of gooseneck hitches, install or use a fifth wheel hitch as a template or refer to the measurements under general "Gooseneck Hitch" installation guidelines.

Bed Rail Mounting: 2) Centre the rails in the bed of the truck box with the measurements listed on the information chart above for long, short or compact boxes from side to side using the rails as a template, *drill holes through the floor of the truck bed. Then drop the 1/2" x 3" Carriage Bolts into the holes. See above for holes to drill.

Frame Bracket Placement and Mounting 3) Place the supplied brackets upon the bolts that were installed in the box in step 2. Note: some brackets may be easier to place than others depending on their locations.

4) Once brackets are installed in the order they fit best, tighten all brackets to the box using the supplied fasteners. Once they are tightened, *drill holes using the bracket as a template. Make sure there are no lines or wires interfering during *drilling. After *drilling is complete install the 1/2" x 1-1/2" Hex Bolts using the supplied bolt leader to secure the brackets to the frame rails. Note: do not drill through both walls of the tube frame as this will crush your frame! Use bolt leader to fish in bolts and to hold on

5) Tighten all mounting fasteners to the correct torque specifications listed below.

Bolt Size	Grade 5 Torque	Metric	Grade 8.8 Torque
9/16	110 Ft. Lb.	8 mm	18 Ft. Lb.
7/16	54 Ft. Lb.	10 mm	36 Ft. Lb.
1/2	72 Ft. Lb.	12 mm	75 Ft. Lb.
5/8	150 Ft. Lb.	14 mm	103 Ft. Lb.
3/4	245 Ft. Lb.	Maximum torque for weld or weld nuts is 38 FT/Lb	

Warning: Check Fasteners annually or before usage, if the hitch is damaged replacement may be necessary!

DO NOT exceed hitch manufactures hitch ratings listed above, DO NOT drill or alter this product. This product is only intended for the application listed above, see vehicle owner's manual for maximum towing capacity (GVWR). This product is intended for usage with the correct towing accessories and not to be used with tow ropes, cables, chains or any type of stretch or elastic rope.



Diversified Steel Products Mfg. Ltd.
5645 - 92 Street
Edmonton, AB T6E 3A4 Canada
1 (800) 265-3377

73768

Frame Bracket Kit for DSP 35" DP FW & GN Hitches

IMPORTANT: The bracket/hole placement is a suggestion. Frames vary! Always check the frame prior to drilling if this is the best location for the brackets. If the suggested holes are not ideal, move to the next closest hole.

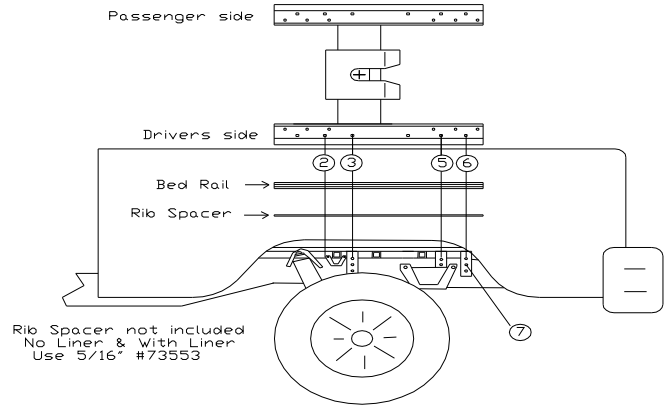
Hitch application	Notes	Years
Dodge 1500	Coil Springs Only	08-Dec
Dodge 1500	Air Ride Suspension, Leaf Springs	08-Dec

Measurement end of rail to end of box		
Comp. box	Short box	Long box
6.2'	6.5'	8'
see notes	18-1/4" ^z	21-1/2" ^z
see notes	18-1/4" ^z	21-1/2" ^z

Frame Bracket placement by hole number (see drawing below)
FL603/FR603 - 3, 5 & 6
FL603/FR603 - 3, 5 & 6

NOTE #1: Can be installed on compact box. Must be used with 10" King Pin extension or with the Reese Sidewinder use the RBW Wedge.
NOTE #2: Place center of king pin 1"-2" ahead of the axle when in travel position (closest to cab).

IMPORTANT NOTE FOR AIR RIDE SUSPENSION MODELS:
Once installation is complete, all carriage bolts coming through the box need to be cut-off to avoid punching of the air ride system.



Parts List	Contents of Bolt Pack # 73808B	Tools Required
3 FL603 Frame Bracket	2 Bolt Leader 48"	3/4" Wrench and Socket 100 FT Torque Wrench Drill and 1/2" Drill Bit
3 FR603 Frame Bracket	8 Carriage Bolt 1/2 x 3, Grade 5, UNC, Plated	
1 Bolt Pack # 73808B	8 Flat Washer 1/2, Plated	
1 DSP Warranty Card	12 Hex Bolt 1/2 x 1-1/2, Grade 5, UNC, Plated	
1 Instructions F70000 Series	20 Hex Nut 1/2, Grade 5, UNC, Plated	
	20 Lock Washer 1/2", Grade 5, Plated	
Shipping weight: 17 lbs. / 7.8 kg.	2 # 91110 Round Hole Reinforcement Spacer	

Bed Rail Placement: 1) Follow the general installation guidelines for the assembly of the upper half of hitch system of your choice that is included with the system. The rails have a closed end and an open end (to slide the hitch in and out). Place closed end near cab. Slide the hitch into rails and lock in travel position (closest to end of the rail near cab). Place system with rails in the truck box and use measurements above as a guideline. Center hitch in between wheel wells. This installation recommends the use of a set of two (2) bed rail rib spacers #73551P. Rib spacers keep the rail level during installation and usage of the hitch. Place rib spacers between box and rails.

Note: For best results for the installation of gooseneck hitches, install or use a fifth wheel hitch as a template or refer to the measurements under general "Gooseneck Hitch" installation guidelines.

Bed Rail Mounting: 2) Centre the rails in the bed of the truck box with the measurements listed on the information chart above for long, short or compact boxes. From side to side using the rails as a template, *drill holes 2, 3, 5, 6 through the floor of the truck bed then drop the 1/2" x 3" Carriage Bolts into the holes. NOTE: Hole 2 will require a carriage bolt to be fastened but no bracket will be placed against it. This will hold the rails in place for ease of installation. After installation is complete, leave in place with fasteners attached.

Frame Bracket Placement and Mounting 3) Place the supplied brackets upon the bolts that were installed in the box in step 2. Note some brackets may be easier to place than others depending on their locations. Note: Bracket for Hole # 5 may need to be trimmed.
4) Once brackets are installed in the order they fit best, tighten all brackets to the box using the supplied fasteners. Once they are tightened, *drill holes using the bracket as a template. Make sure there are no lines or wires interfering during *drilling. After *drilling is complete install the 1/2" x 1 1/2" Hex Bolts to secure the brackets to the frame rails.
5) Hole # 6, Passenger side, loosely bolt the bracket into place. Driver side, the electrical will need to be loosened to install the bracket. Once the bracket is in place, reinstall the electrical line back into place.
7) Tighten all mounting fasteners to the correct torque specifications listed below.

Bolt Size	Grade 5 Torque	Metric	Grade 8.8 Torque
9/16	110 Ft. Lb	8 mm	18 Ft. Lb.
7/16	54 Ft. Lb	10 mm	36 Ft. Lb.
1/2	72 Ft. Lb.	12 mm	75 Ft. Lb.
5/8	150 Ft. Lb	14 mm	103 Ft. Lb.
3/4	245 Ft. Lb	Maximum torque for weld or weld nuts is 38 FT/Lb	

Warning: Check Fasteners annually or before usage, if the hitch is damaged replacement may be necessary! Do Not exceed hitch manufactures hitch ratings listed above, DO NOT drill or alter this product. This product is only intended for the application listed above, see vehicle owner's manual for maximum towing capacity (GVWR). This product is intended for usage with the correct towing accessories and not to be used with tow ropes, cables, chains or any type of stretch or elastic rope.

DSP Hitches are manufactured by Diversified Steel Products MFG. LTD Edmonton Alberta, Canada
For more information on DSP and DSP products call 1-800-265-3377 or visit us at www.dsphitches.com

73769
Frame Bracket Kit for DSP
35" DP FW & GN Hitches

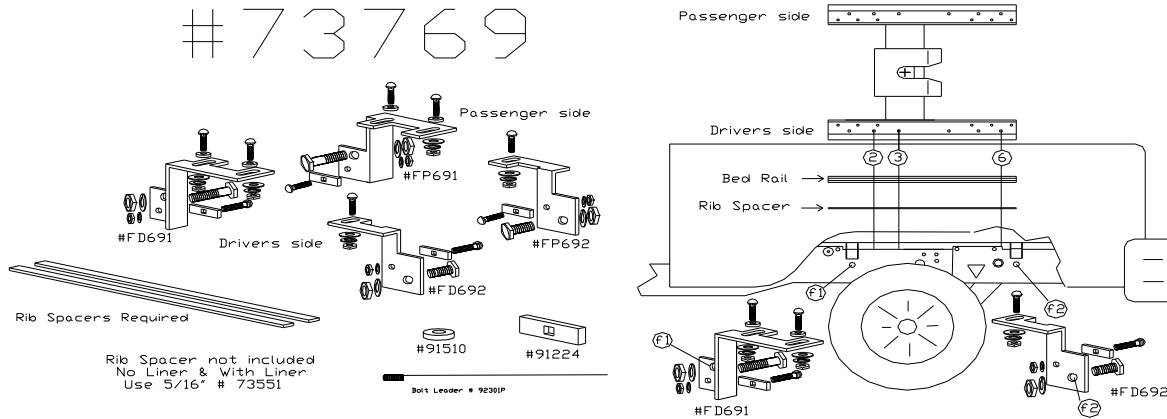
IMPORTANT: The bracket/hole placement is a suggestion. Frames vary! Always check the frame prior to drilling if this is the best location for the brackets. If the suggested holes are not ideal, move to the next closest hole.			Measurement end of rail to end of box			Frame Bracket placement by hole number (see drawing below)
Hitch application	Notes	Years	Comp. box <6.2'	Short box 6.5'	Long box 8'	
Dodge Ram 1500	Coil Springs only	2013-cur	See Note#1	See Note#2	See Note#2	Placement of brackets may vary
Dodge Ram 3500	all, incl. RAMBOX (see note #2 below)	2013-cur	See Note#1	18.75"	21.5"	FD691/FP691-2&3, FD692/FP692-5
Dodge Ram 2500/3500/4500	leaf springs only, incl. RAMBOX (#2)	2014-cur	See Note#1	18.75"	21.5"	FD691/FP691-2&3, FD692/FP692-5

NOTE #1: Can be installed on compact box. Must be used with 10" King Pin extension or with the Reese Sidewinder use the RBW Wedge.

NOTE #2: Place center of king pin 1"-2" ahead of the axle when in travel position (closest to cab).

NOTE #3: On older model fifth wheel crossbars the handle may require altering by bending with heat to avoid close proximity to box.

NOTE #4: On some applications, hole #F2 (see drawing below) may be missing and need to be drilled. In addition, the muffler hanger on the passenger side may require modification.



*** At any point during installation, ensure that once placement is made, there are NO lines or wires interfering prior to drilling.**

Parts List	Contents of Bolt Pack # 73769/B	Tools Required
1 Frame Bkt FD691 Driver Side Front 1 Frame Bkt FP691 Passenger Side Front 1 Frame Bkt FD692 Driver Side Rear 1 Frame Bkt FP692 Passenger Side Rear 1 Bolt Pack # 73769/B 1 DSP Warranty Card 1 Instructions F70000 Series	4 Carriage Bolt 1/2 x 3 Fully Threaded, Grade 5, UNC, Plated 4 Carriage Bolt 1/2 x 1-1/2, Grade 5, UNC, Plated 2 Hex Bolt 1/2 x 3, Grade 5, NC, Plated, FULL THREAD 2 Hex Bolt 3/4-10 x 4-1/2, Grade 5, UNF, Plated 2 Hex Bolt 3/4 x 1-1/2, Grade 5, UNC Plated 10 Lock Washer 1/2, Grade 5, UNC, Plated 4 Lock Washer 3/4, "C" Plated 6 Flat Washer 1/2, Plated 10 Hex Nut 1/2, Grade 5, UNC, Plated 4 Hex Nut 3/4-10 Grade 2, UNC Plated 4 SPACER 1/2" SQ HOLE, 2-3/4"L x 3/4" W 1/4"MAT 4 SPACER 1-1/4" ROUND HOLE MATERIAL 3/8" 1 Bolt Leader 24"	3/4" & 1 1/8 Wrench and Socket 100 FT Torque Wrench Drill and 1/2" & 3/8" drill bit or step drill bit 12" pieces of 2 x 4 wood
Ship 24.5 Lbs. Weight 11.14 Kg.		IMPORTANT! Installation Notes for Dodge 1500 Coil Spring: For placement of brackets: look for best position on frame to install brackets (see note#2). Holes in truck will most likely not match up with any holes on frames brackets. Requires drilling of all holes.

Bed Rail Placement: 1) Follow the general installation guidelines for the assembly of the upper half of hitch system of your choice that is included with the upper half of the system. The rails have a closed side and an open side (to slide the hitch in and out). Place closed end near cab. Slide the hitch into rails and lock in travel position (closest to end of the rail near cab). Place system with rails in the truck box and use measurements above as a guideline. Center hitch in between wheel wells. **Note:** For best results for the installation of the gooseneck hitches, install or use a fifth wheel hitch as a template or refer to the measurements under general "Gooseneck Hitch" installation guidelines. **This installation requires the use of two (2) bed rail rib spacers # 73551.** Rib spacers keep the rail level during installation and usage of the hitch. Place rib spacers between box and rails..

Bed Rail Mounting: 2) Drill pilot holes through the box (see chart above). Check if there are any obstructions for the placement of the brackets. Warning!!! On driver's side, wedge the 2x4" wood pieces between the frame and the floor for drilling holes #2 & 3 to avoid damaging the electric or brake lines. Drop the 1/2x3" carriage bolt through the rail and holes. Note: hole #6 many require a hex bolt instead of a carriage bolt.

Frame Bracket Placement: 3) Place brackets onto frame as shown above lining up the 3/4" hole on the frame bracket to the hole already in existence on your frame (in drawing above: F1 for front brackets and F2 for rear brackets). Wedge spacer #91510 between the box and top of the frame bracket for holes #2 & 3. Secure brackets in place with 3/4x4-1/2" hex bolts for the front brackets and 3/4x1-1/2" hex bolts for the rear brackets and hand tighten using 3/4" lock washer and hex nut. Note: Spare tire shield may need to be loosened to install the 3/4" bolts. Use the frame brackets to mark the remaining holes on the frame to drill.

4) Using a 3/8" drill bit, drill pilot holes into the frame and then enlarge the holes with a step drill or 1/2" drill bit. Place 1/2x1-1/2" carriage bolts and spacer #91224 through the frame into the drilled holes. Hand tighten using 1/2" lock washer and hex nut.

5) Place 1/2" flat washer, lock washer and hex nut on carriage bolts which were dropped through the truck bed and hand tighten.

6) Tighten all 1/2" fasteners to torque specifications below before tightening 3/4" fasteners to torque specifications below.

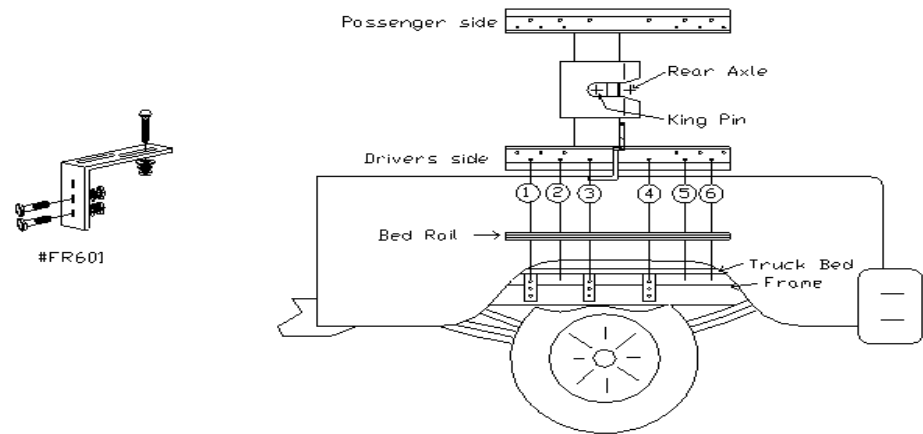
Bolt Size	Grade 5 Torque	Metric	Grade 8.8 Torque
9/16	110 Ft. Lb	8 mm	18 Ft. Lb.
7/16	54 Ft. Lb	10 mm	36 Ft. Lb.
1/2	72 Ft. Lb.	12 mm	75 Ft. Lb.
5/8	150 Ft. Lb	14 mm	103 Ft. Lb.
3/4	245 Ft. Lb	Maximum torque for weld or weld nuts is 38 FT/Lb	

Warning: Check Fasteners annually or before usage, if the hitch is damaged replacement may be necessary

Do Not exceed hitch manufactures hitch ratings listed above, DO NOT drill or alter this product. This product is only intended for the application listed above, see vehicle owner's manual for maximum towing capacity (GVWR). This product is intended for usage with the correct towing accessories and not to be used with tow ropes, cables, chains or any type of stretch or elastic rope.

Hitch application			Measurement end of rail to end of box			Frame Bracket placement by hole number (see drawing below)
			Comp. box 6.2'	Short box 6.5'	Long box 8'	
Ford F-Series	Light Duty (channel)	2004-2007	see notes	20.5" ²	20.5" ²	FL601/FR601 - 2, 3 & 6
	Super Duty (channel)	2004-cur ³	see notes	21.25" ²	21.25" ²	FL601/FR601 - 2, 3 & 6
	All (channel)	1997-2003	see notes	20.5" ²	21.25" ²	FL601/FR601 - 2, 3 & 6
	All (channel)	1973-1996	see notes	19" ²	23.25" ²	FL601/FR601 - 2, 3 & 6
Chev/Gmc	New Generation	2009-2010	see notes	18" ²	23" ²	FL601/FR601 - 1, 3 & 4
	Light Duty (classic)	1999-2009	see notes	18" ²	23" ²	FL601/FR601 - 1, 3 & 4
	All (classic)	1967-1998	see notes	18" ²	23" ²	FL601/FR601 - 1, 3 & 5
Dodge	2500 & up (channel)	2001-2002	see notes	19" ²	21.5" ²	FL601/FR601 - 2, 3 & 6
	all (channel)	1973-2001	see notes	18.25" ²	21.75" ²	FL601/FR601 - 2, 3 & 6

NOTE #1: Can be installed on compact box. Must be used with 10" King Pin extension or with the Reese Sidewinder use the RBW Wedge.
NOTE #2: Place center of king pin 1"-2" ahead of the axle when in travel position (closest to cab).
NOTE #3: Without Factory Prep Package ONLY



Note: Hole drilled through Bed rail will vary with truck application
See listings above for holes to truck application

*** At any point during installation, ensure that once placement is made, there are NO lines or wires interfering prior to drilling.**

Parts List	Contents of Bolt Pack # 73808	Tools Required
3 FL601 Frame Bracket	6 Carriage Bolt 1/2 x 3, Grade 5, UNC, Plated	3/4" Wrench and Socket 100 FT Torque Wrench Drill and 1/2" Drill Bit
3 FR601 Frame Bracket	6 Flat Washer 1/2, Plated	
1 Bolt Pack # 73808	12 Hex Bolt 1/2 x 1-1/2, Grade 5, UNC, Plated	
1 DSP Warranty Card	18 Hex Nut 1/2, Grade 5, UNC, Plated	
1 Instructions F70000 Series	18 Lock Washer 1/2, Grade 5, Plated	
Shipping weight:	17.4 lbs. 7.9 kg.	

Bed Rail Placement: 1) Follow the general installation guidelines for the assembly of the upper half of hitch system of your choice that is included with the system. The rails have a closed end and an open end (to slide the hitch in and out). Place closed end near cab. Slide the hitch into rails and lock in travel position (closest to end of the rail near cab). Place system with rails in the truck box and use measurements above as a guideline. Center hitch in between wheel wells. This installation recommends the use of a set of two (2) bed rail rib spacers #73551P. Rib spacers keep the rail level during installation and usage of the hitch. Place rib spacers between box and rails.

Note: For best results for the installation of gooseneck hitches, install or use a fifth wheel hitch as a template or refer to the measurements under general "Gooseneck

Bed Rail Mounting: 2) Centre the rails in the bed of the truck box with the measurements listed on the information chart above for long, short or compact boxes. From side to side using the rails as a template, *drill holes through the floor of the truck bed then drop the 1/2" x 3" Carriage Bolts into the holes. See above for holes to drill.

Frame Bracket Placement and Mounting 3) Place the supplied brackets upon the bolts that were installed in the box in step 2. Note some brackets may be easier to place than others depending on their locations.

4) Once brackets are installed in the order they fit best, tighten all brackets to the box using the supplied fasteners. Once they are tightened, *drill hole using the bracket as a template. Make sure there are no lines or wires interfering during *drilling. After *drilling is complete install the 1/2"x1-1/2" Hex Bolts to secure the brackets to the

5) Tighten all mounting fasteners to the correct torque specifications listed below.

Bolt Size	Grade 5 Torque	Metric	Grade 8.8 Torque
9/16	110 Ft. Lb	8 mm	18 Ft. Lb.
7/16	54 Ft. Lb	10 mm	36 Ft. Lb.
1/2	72 Ft. Lb.	12 mm	75 Ft. Lb.
5/8	150 Ft. Lb	14 mm	103 Ft. Lb.
3/4	245 Ft. Lb		Maximum torque for weld or weld nuts is 38 FT/Lb

Warning: Check Fasteners annually or before usage, if the hitch is damaged replacement may be necessary

Do Not exceed hitch manufactures hitch ratings listed above, DO NOT drill or alter this product. This product is only intended for the application listed above, see vehicle owner's manual for maximum towing capacity (GVWR). This product is intended for usage with the correct towing accessories and not to be used with tow ropes, cables, chains or any type of stretch or elastic rope.