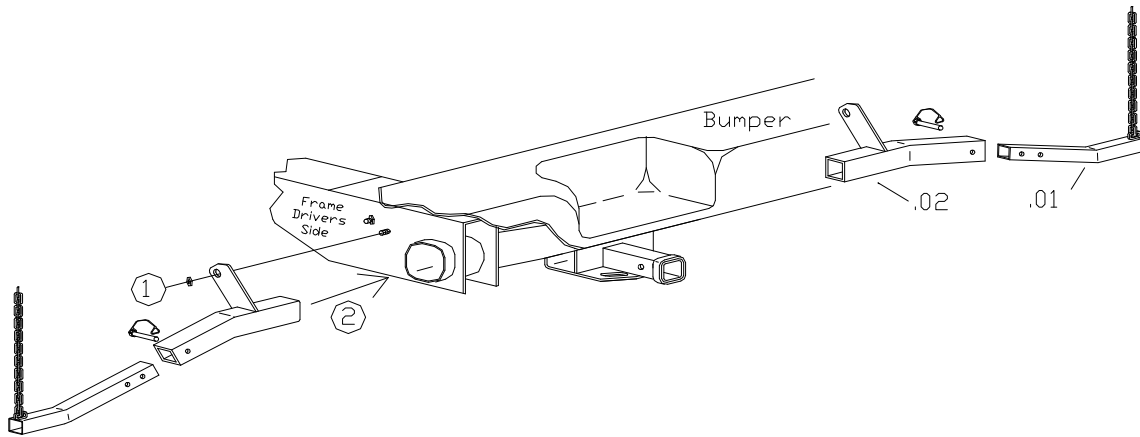


62315

**Rear Mount
Camper Tiedown**

Hitch application	Years	Notes
Chev/GMC 2500/3500 (New Generation) w/ Factory Hitch incl. Duramax Diesel Fullsize Trucks	2007 - 2010	Will not fit 1500



Parts List	Contents of Bolt Pack	Tools Required
1 Main Body Drivers side 1 Main Body Passengers side 2 Angled Tube chains 2 Quick Pins 1 DSP Warranty Card 1 Instructions T62000 Series	Qty Description USE EXISTING HARDWARE	9/16" Socket or Wrench 100 FT/LB Torque Wrench
Shipping 22.6 lbs. Weight 10.3 kg.		NO DRILL APPLICATION

Note: Some trucks may be equipped with a large tail pipe that may interfere with installation.

- 1) Locate and remove the Nut or Bolt in the frame located beside the factory hitch receiver crossbar (hole #1)
- 2) Insert the mainbody of the tiedown into the receiver crossbar (hole #2) with the tiedown tab facing forward.
- 3) Line up the hole in the mainbody tab (hole #1) and reinstall the fasteners removed from step #1
- 4) Repeat for passenger side.
- 4) Tighten and torque all mounting fasteners to the correct specification listed below.

Bolt Size	Grade 5 Torque	Metric	Grade 8.8 Torque
3/8	30 Ft. Lb	8 mm	18 Ft. Lb.
7/16	54 Ft. Lb	10 mm	36 Ft. Lb.
1/2	72 Ft. Lb.	12 mm	75 Ft. Lb.
5/8	150 Ft. Lb	14 mm	103 Ft. Lb.
3/4	245 Ft. Lb	Maximum torque for weld or weld nuts is 38 FT/Lb	

Warning: Check Fastens annually or before usage, if the Tiedown is damaged replacement may be necessary.

DO NOT drill or alter this product. This product is only intended for the application listed above.

See vehicle owner's manual for maximum Camper capacity (GVWR). This product is intended for usage with the correct towing accessories and not to be used with tow ropes, cables, chains or any type of stretch or elastic rope.

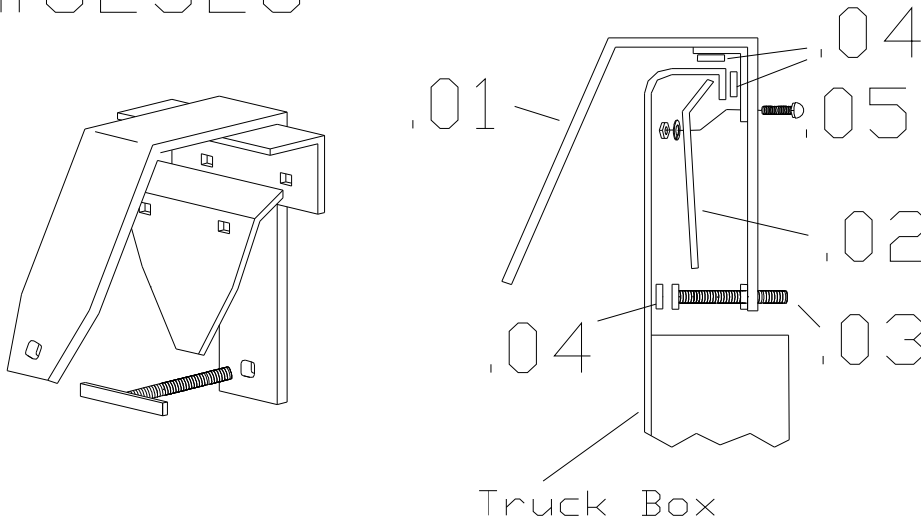
DSP Hitches are manufactured by Diversified Steel Products MFG. LTD Edmonton, Alberta, Canada

For more information on DSP and DSP products call 1-800-265-3377 or visit us at www.dsphitches.com

62528
Universal Mount Tiedown
- Box Mount -
Set of 4

WARNING: NOT to be used on boxes with no lip, thin material or composite boxes!
NOTE: This is not a stake pocket tiedown. Can also be used with rear mounted tiedown.

#62528



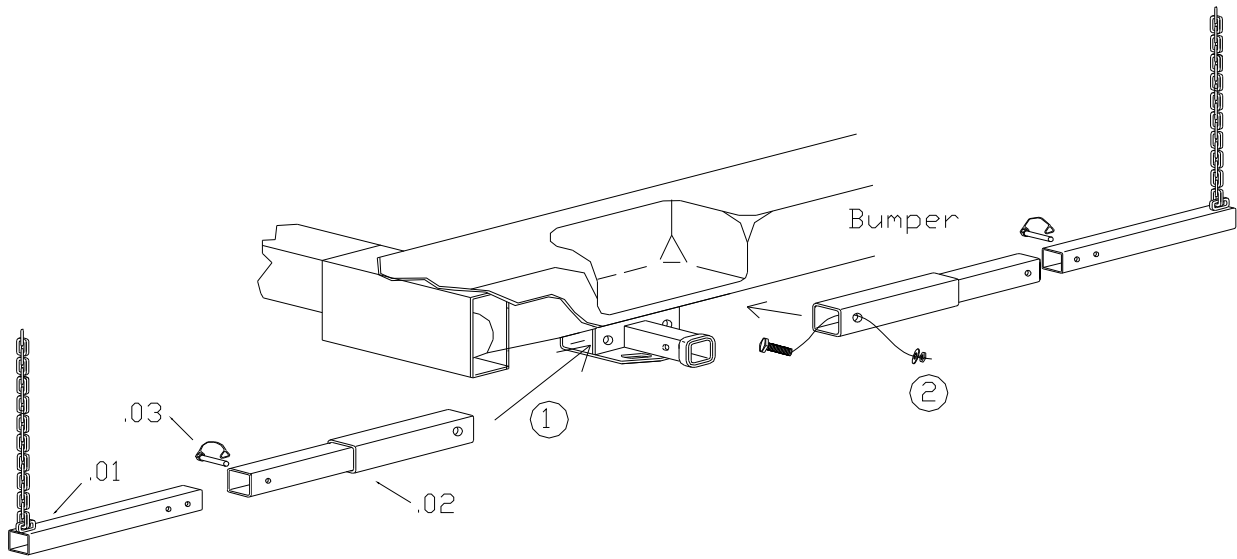
Parts List		Contents of Bolt Pack	Tools Required
4	62528 Mainbody Universal	Qty Description	9/16" Socket or Wrench 100 FT/LB Torque Wrench
4	62528 Clamp Bracket	4 T-Bolt	
1	Bolt Pack 62528/B	4 Nut 1/2", UNC, Plated	No Drill Application
1	DSP Warranty Card	8 Hex Bolt 3/8", UNC, Plated	
1	Instructions T62000 Series	8 Lockwasher, 3/8", UNC, Plated	
Shipping	44.6 lbs.	8 Nut 3/8", UNC, Plated	
Weight	20.27 kg.	16" Foam for T-Bolt (4x4") 40" Foam for Mainbody (8x5")	

- 1) Take the mainbody (.01) and attach the foam (.04) to the mainbody as shown above
- 2) Attach the long piece of foam(.04) and attach it to the T-Bolt as shown above. Screw 1/2" nut onto T-Bolt (.03), then screw the T-Bolt into the mainbody.
- 3) Using two 3/8" carriage bolt (.05) and lockwasher and nut, handtighten the clamp bracket (.02) to the mainbody (.01), bacing the truck box between the clamp bracket (.02) and the mainbody (.01)
- 4) Adjust T-Bolt (.03) until the mainbody (.01) runs parallel to the truck box. Tighten 1/2" nut. Place the assembled tiedown in the desired positions, tighten all 3/8" bolts.

Bolt Size	Grade 5 Torque	Metric	Grade 8.8 Torque
3/8	30 Ft. Lb	8 mm	18 Ft. Lb.
7/16	54 Ft. Lb	10 mm	36 Ft. Lb.
1/2	72 Ft. Lb.	12 mm	75 Ft. Lb.
5/8	150 Ft. Lb	14 mm	103 Ft. Lb.
3/4	245 Ft. Lb	Maximum torque for weld or weld nuts is 38 FT/Lb	

Warning: Check Fastens annually or before usage, if the Tiedown is damaged replacement may be necessary.
DO NOT drill or alter this product. This product is only intended for the application listed above.
See vehicle owner's manual for maximum Camper capacity (GVWR). This product is intended for usage with the correct towing accessories and not to be used with tow ropes, cables, chains or any type of stretch or elastic rope.

DSP Hitches are manufactured by Diversified Steel Products MFG. LTD Edmonton, Alberta, Canada
For more information on DSP and DSP products call 1-800-265-3377 or visit us at www.dsphitches.com



Parts List	Contents of Bolt Pack # 62603/B	Tools Required
2 Main Body D & P # 62603/MBU 2 Tube Chains 17" # 63102 1 Bolt Pack # 62603/B 1 DSP Warranty Card 1 Instructions T6200 Series	2 Hex Bolt 1/2 x 1-1/2, Grade 5, UNC, Plated 2 Lock Washer 1/2", Grade 5, UNC, Plated 2 Hex Nut 1/2, Grade 5, UNC, Plated 2 Quick Pin Round 3/8 x 2-1/4 1 Bolt Leader 24"	3/4" Socket or Wrench 100 FT/LB Torque Wrench
Shipping 34.6 lbs. Weight 15.73 kg.		No Drill Application

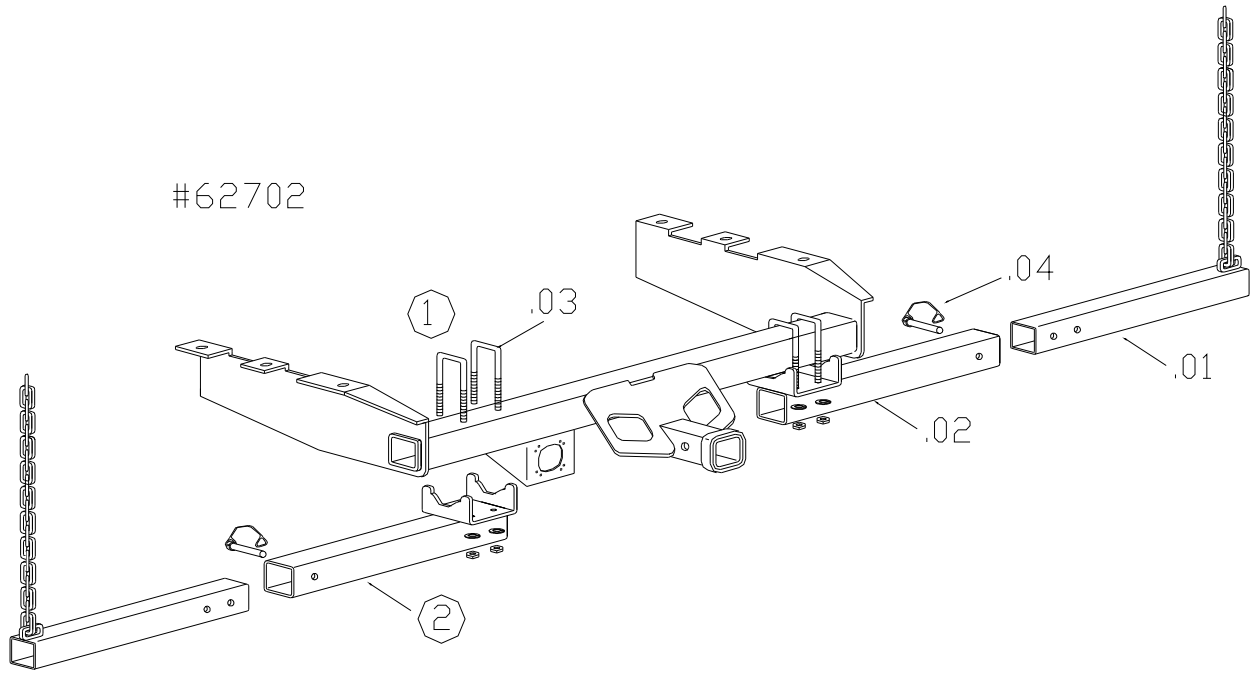
- 1) Locate rear receiver and the two holes adjacent to the receiver, 1 per side in the reinforcement plate.
- 2) As shown in diagram above insert the tiedown into the pocket shown adjacent to the receiver and install the 1/2"x1-1/2" Hex Bolt, using the Bolt Leader provided. Install provided 1/2" Nuts and Washers.
- 4) Repeat steps 1 and 2 for passenger side.
- 3) Tighten all mounting fasteners to the correct torque specifications listed below.

Bolt Size	Grade 5 Torque	Metric	Grade 8.8 Torque
3/8	30 Ft. Lb	8 mm	18 Ft. Lb.
7/16	54 Ft. Lb	10 mm	36 Ft. Lb.
1/2	72 Ft. Lb.	12 mm	75 Ft. Lb.
5/8	150 Ft. Lb	14 mm	103 Ft. Lb.
3/4	245 Ft. Lb	Maximum torque for weld or weld nuts is 38 FT/Lb	

Warning: Check Fasteners annually or before usage, if the Tiedown is damaged replacement may be necessary.
 DO NOT drill or alter this product. This product is only intended for the application listed above, see vehicle owner's manual for maximum camper capacity (GVWR). This product is intended for usage with the correct towing accessories and not to be used with tow ropes, cables, chains or any type of stretch or elastic rope.

62702
Hitch application
2 1/2" Square, Straight Crossbar Rear Mount Camper Tiedowns

****NOTE: Hitch Receiver is not included**



Parts List		Contents of Bolt Pack # 62702/B		Tools Required
2	Mainbody Part # 6270X/MBU	Qty	Description	9/16" Socket or Wrench
2	Tube Chains 17" # 63102	4	U BOLT SQ 3/8 x 5-1/2 x 2-1/2 ZINC PL.	100 FT/LB Torque Wrench
1	Bolt Pack Part # 62702/B	8	Hex Nut 3/8", Grade 5, UNC, Plated	
1	DSP Warranty Card	8	Lock Washer 3/8, Grade 5, Plated	
1	Instructions T6200 Series	2	Quick Pin Round 3/8 x 2-1/4	
Shipping Weight	22.4 lbs. 10.18 kg.			

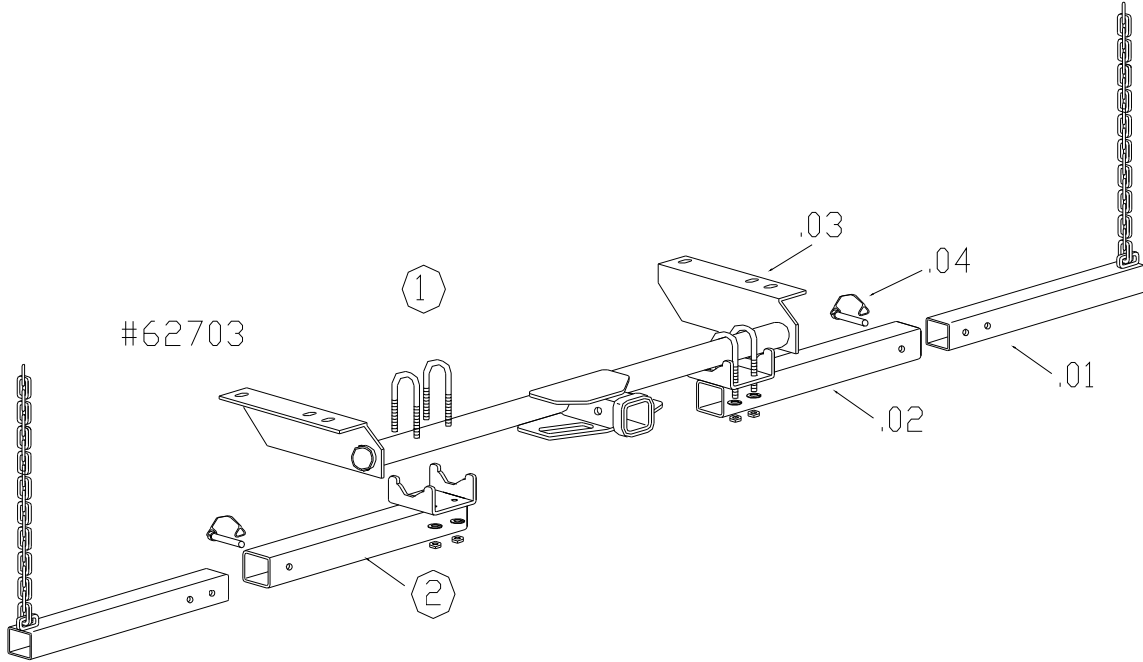
- 1) Locate rear receiver. Place U - Bolts over receiver cross member and raise Tiedown up to U - Bolts installed around receiver.
- 2) Install the washers and nuts provided. See diagram above for more detail.
- 3) Repeat steps 1 and 2 for passenger side.
- 4) Tighten and torque all mounting fasteners to the correct specification listed below.

Bolt Size	Grade 5 Torque	Metric	Grade 8.8 Torque
3/8	30 Ft. Lb	8 mm	18 Ft. Lb.
7/16	54 Ft. Lb	10 mm	36 Ft. Lb.
1/2	72 Ft. Lb.	12 mm	75 Ft. Lb.
5/8	150 Ft. Lb	14 mm	103 Ft. Lb.
3/4	245 Ft. Lb	Maximum torque for weld or weld nuts is 38 FT/Lb	

Warning: Check Fastens annually or before usage, if the Tiedown is damaged replacement may be necessary.
DO NOT drill or alter this product. This product is only intended for the application listed above.
See vehicle owner's manual for maximum Camper capacity (GVWR). This product is intended for usage with the correct towing accessories and not to be used with tow ropes, cables, chains or any type of stretch or elastic rope.
DSP Hitches are manufactured by Diversified Steel Products MFG. LTD Edmonton, Alberta, Canada
For more information on DSP and DSP products call 1-800-265-3377 or visit us at www.dsphitches.com

62703
Hitch application
2 1/2" Round Tube Straight Crossbar Rear Mount Camper Tiedowns

****NOTE: Hitch Receiver is not included**



Parts List		Contents of Bolt Pack # 62703/B	Tools Required	
2	Mainbody Part # 6270X/MBU	8	Lock Washer 3/8, Grade 5, Plated	9/16" Socket or Wrench 100 FT/LB Torque Wrench
2	Tube Chains 17" # 63102	8	Hex Nut 3/8", Grade 5, UNC, Plated	
1	Bolt Pack # 62703/B	4	U BOLT RD 3/8 x 4-1/2 x 2-1/2 ZINC PL	
1	DSP Warranty Card	2	Quick Pin Round 3/8 x 2-1/4	
1	Instructions T6200 Series			
Shipping Weight	31.6 lbs. 14.9 kg.			

- 1) Locate rear receiver. Place U - Bolts over receiver and raise tiedown up to U - Bolts installed around receiver.
- 2) Install the washers and nuts provided. See diagram above for more detail.
- 3) Repeat steps 1 and 2 for passenger side.
- 4) Tighten and torque all mounting fasteners to the correct specification listed below.

Bolt Size	Grade 5 Torque	Metric	Grade 8.8 Torque
3/8	30 Ft. Lb	8 mm	18 Ft. Lb.
7/16	54 Ft. Lb	10 mm	36 Ft. Lb.
1/2	72 Ft. Lb.	12 mm	75 Ft. Lb.
5/8	150 Ft. Lb	14 mm	103 Ft. Lb.
3/4	245 Ft. Lb	Maximum torque for weld or weld nuts is 38 FT/Lb	

Warning: Check Fastens annually or before usage, if the Tiedown is damaged replacement may be necessary.
DO NOT drill or alter this product. This product is only intended for the application listed above.
See vehicle owner's manual for maximum Camper capacity (GVWR). This product is intended for usage with the correct towing accessories and not to be used with tow ropes, cables, chains or any type of stretch or elastic rope.
DSP Hitches are manufactured by Diversified Steel Products MFG. LTD Edmonton Alberta, Canada
For more information on DSP and DSP products call 1-800-265-3377 or visit us at www.dsphitches.com

62704

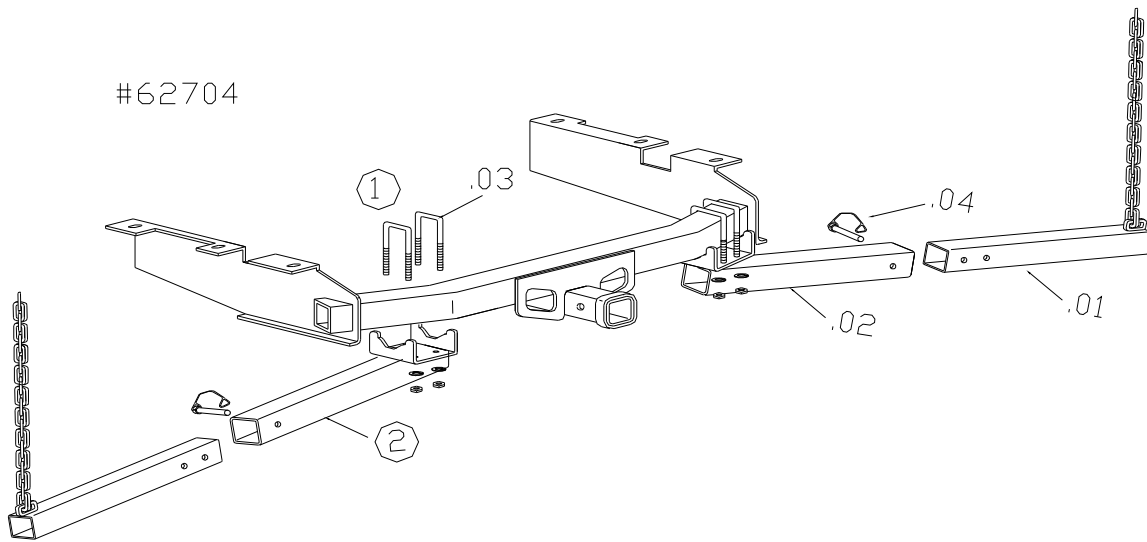
Hitch Application

Receiver Mount Square 2 1/2" x 2 1/2"

Rear Mount

Camper Tiedowns

****NOTE: Hitch Receiver is not included**



Parts List	Contents of Bolt Pack # 62704/B	Tools Required
1 Mainbody Part # 62704/MBD 1 Mainbody Part # 62704/MBP 2 Tube Chains 17" # 63102 2 Quick Pin Round 3/8 x 2-1/4 1 Bolt Pack Part # 62704/B 1 DSP Warranty Card 1 Instructions T6200 Series	8 Hex Nut 3/8", Grade 5, UNC, Plated 8 Lock Washer 3/8, Grade 5, Plated 2 Quick Pin Round 3/8 x 2-1/4 4 U BOLT SQ 3/8 x 5-1/2 x 2-1/2 ZINC PL.	9/16" Socket or Wrench 100 FT/LB Torque Wrench
Shipping 31.6 lbs. Weight 14.3636364 kg.		No Drill Application

- 1) Locate rear receiver. Place U - Bolts over receiver and raise Tiedown up to U - Bolts installed around receiver.
- 2) Install the washers and nuts provided.
- 3) Repeat steps 1 and 2 for passenger side.
- 4) Tighten and torque all mounting fasteners to the correct specification listed below.

Bolt Size	Grade 5 Torque	Metric	Grade 8.8 Torque
3/8	30 Ft. Lb	8 mm	18 Ft. Lb.
7/16	54 Ft. Lb	10 mm	36 Ft. Lb.
1/2	72 Ft. Lb.	12 mm	75 Ft. Lb.
5/8	150 Ft. Lb	14 mm	103 Ft. Lb.
3/4	245 Ft. Lb	Maximum torque for weld or weld nuts is 38 FT/Lb	

Warning: Check Fasteners annually or before usage, if the Tiedown is damaged replacement may be necessary.

DO NOT drill or alter this product. This product is only intended for the application listed above.

See vehicle owner's manual for maximum camper capacity (GVWR). This product is intended for usage with the correct towing accessories and not to be used with tow ropes, cables, chains or any type of stretch or elastic rope.

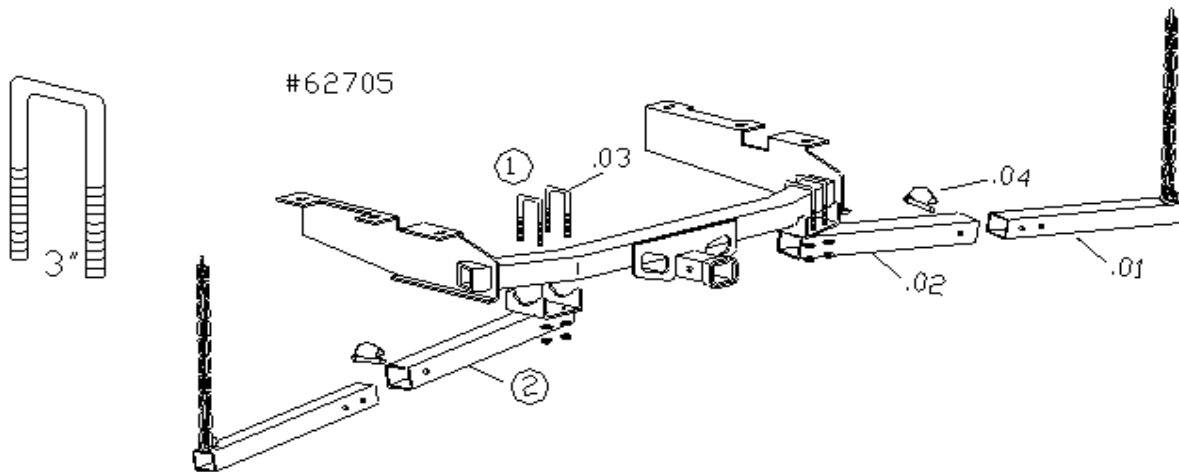
DSP Hitches are manufactured by Diversified Steel Products MFG. LTD Edmonton, Alberta, Canada
For more information on DSP and DSP products call 1-800-265-3377 or visit us at www.dsphitches.com

62705

Hitch application

Square or Round 3" Crossbar

Rear Mount Camper Tiedown



Parts List		Contents of Bolt Pack # 62705/B		Tools Required
1	Mainbody Part # 62705/MBD	Qty	Description	9/16" Socket or Wrench 100 FT/LB Torque Wrench
1	Mainbody Part # 62705/MBP	4	U BOLT SQUARE 1/2 x 5-3/4 x 3 ZINC	
2	Tube Chains 17" # 63102	8	Hex Nut 1/2, Grade 5, UNC, Plated	
1	Bolt Pack Part # 62705/B	8	Lock Washer 1/2, Grade 5, UNC, Plated	
1	DSP Warranty Card	8	Flat Washer 1/2, Grade 5, UNC, Plated	
1	Instructions T62000 Series	2	Quick Pin Round 3/8 x 2-1/4	
Shipping	29.6 lbs.			
Weight	13.45 kg.			

- Note:** Some trucks may be equipped with a large tail pipe that may interfere with installation.
- 1) Locate rear receiver. Place U - Bolts over receiver and raise Tiedown up to U - Bolts installed around receiver.
 - 2) Install the washers and nuts provided.
 - 3) Repeat steps 1 and 2 for passenger side.
 - 4) Tighten and torque all mounting fasteners to the correct specification listed below.

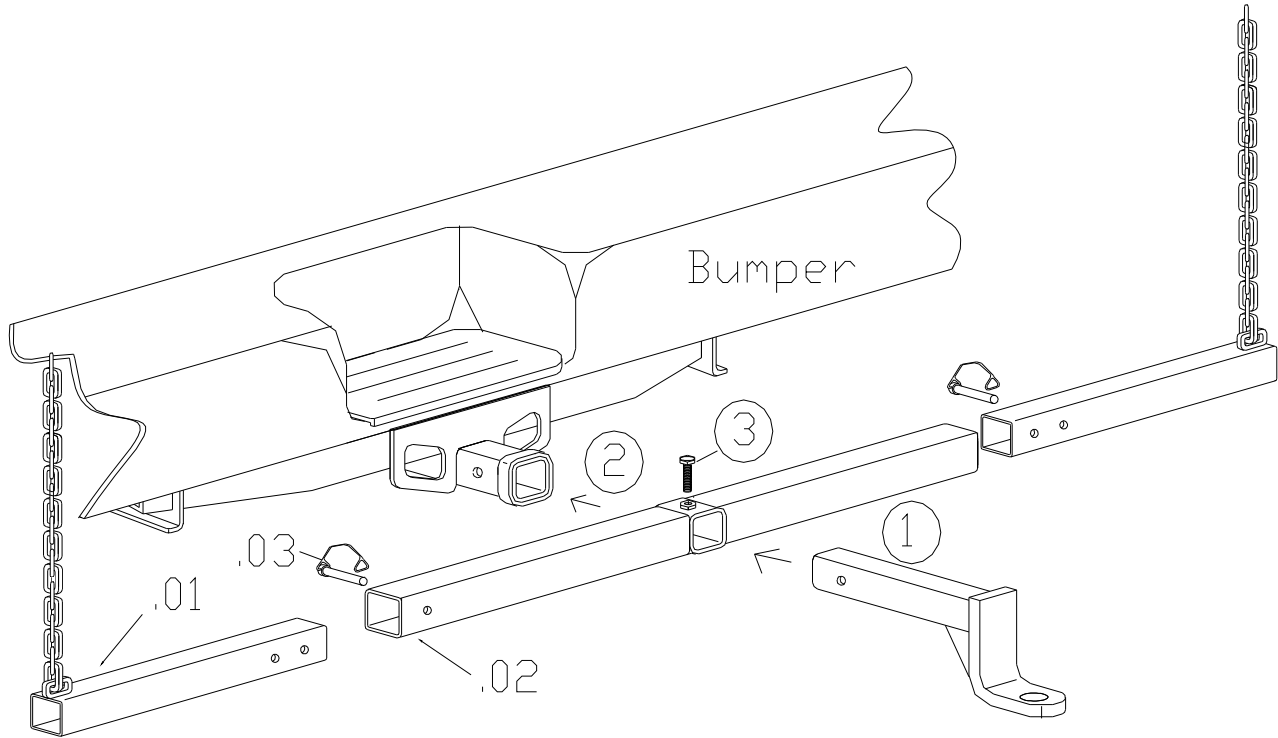
Bolt Size	Grade 5 Torque	Metric	Grade 8.8 Torque
3/8	30 Ft. Lb	8 mm	18 Ft. Lb.
7/16	54 Ft. Lb	10 mm	36 Ft. Lb.
1/2	72 Ft. Lb.	12 mm	75 Ft. Lb.
5/8	150 Ft. Lb	14 mm	103 Ft. Lb.
3/4	245 Ft. Lb	Maximum torque for weld or weld nuts is 38 FT/Lb	

Warning: Check Fastens annually or before usage, if the Tiedown is damaged replacement may be necessary.
DO NOT drill or alter this product. This product is only intended for the application listed above.
See vehicle owner's manual for maximum Camper capacity (GVWR). This product is intended for usage with the correct towing accessories and not to be used with tow ropes, cables, chains or any type of stretch or elastic rope.

DSP Hitches are manufactured by Diversified Steel Products MFG. LTD Edmonton, Alberta, Canada
For more information on DSP and DSP products call 1-800-265-3377 or visit us at www.dsphitches.com

62711
Hitch application
Universal Rear Camper Tiedown
For Ballmount Application

*NOTE: RECEIVER AND BALLMOUNT NOT INCLUDED



Parts List	Contents of Bolt Pack # 62711/B	Tools Required
1 Crossmember (T2711) 1 Hardware Kit (H2711) 2 17" Tube Chain 1 Bolt Pack #62711/B 1 DSP Warranty Card 1 Instructions T61000 Series	1 Hex Bolt 1/2 x 1-1/4, Grade 5, UNC, Plated 2 Quick Pin Round 3/8 x 2-1/4	3/4" Socket or Wrench 100 FT/LB Torque Wrench
Shipping 39.2 lbs. Weight 17.82 kg.		Drill Application

- 1) Position camper tiedown on the shaft of the ballmount of your choice.
- 2) Once in position, install the 1/2" x 1 1/4" Hex Bolt and tighten to secure in place. (Refer to diagram above)
- 3) Tighten all mounting fasteners to the correct torque specification listed below.

Bolt Size	Grade 5 Torque	Metric	Grade 8.8 Torque
3/8	30 Ft. Lb	8 mm	18 Ft. Lb.
7/16	54 Ft. Lb	10 mm	36 Ft. Lb.
1/2	72 Ft. Lb.	12 mm	75 Ft. Lb.
5/8	150 Ft. Lb	14 mm	103 Ft. Lb.
3/4	245 Ft. Lb	Maximum torque for weld or weld nuts is 38 FT/Lb	

Warning: Check Fastens annually or before usage, if the Tiedown is damaged replacement may be necessary.
 DO NOT drill or alter this product. This product is only intended for the application listed above.
 See vehicle owner's manual for maximum Camper capacity (GVWR). This product is intended for usage with the correct towing accessories and not to be used with tow ropes, cables, chains or any type of stretch or elastic rope.
 DSP Hitches are manufactured by Diversified Steel Products MFG. LTD Edmonton, Alberta, Canada
 For more information on DSP and DSP products call 1-800-265-3377 or visit us at www.dsphitches.com